



**DER KOCH**  
German Line

**Installation and use manual for  
Der Koch range hoods**



**Lübeck**

## Table of contents

I. Notice .....	3
II. Feature .....	3
III. Safety Warning .....	3
IV. Main Parameters .....	6
V. Installation .....	8
VI. Operation .....	10
Set up WIFI control.....	10
VII. Maintenance .....	14
Regular cleaning.....	14
Monthly cleaning of the grease filter (aluminum) .....	14
Replacement of the carbon filter.....	15
Replacing the bulb .....	16
VIII. Troubleshooting .....	17
Warranty Certificate.....	18

### ENVIROMENTAL PROTECTION:

This product is marked with the symbol on the selective sorting of waste electronic equipment. This means that this product must not be disposed of with household waste but must be supported by a system of selective collection in accordance with Directive 2012/19/EU. It will then be recycled or dismantled to minimize impacts on the environment, electrical and electronic products are potentially dangerous for the environment and human health due to the presence of hazardous substances. For more information, please contact your local or regional authorities.

#### Note

- In order to reduce the environmental impact (e.g. energy use) of the cooking process, please be sure that your product is installed according to the user manual, keep the operation place ventilated, keep the extraction duct be direct and short as possible as it can be.
- For the product with manual operation mode, we suggest switch the motor off within 10 minutes after finishing the cooking process.
- Please be sure to dismantle related components according to the user manual when maintaining for non-destructive, protect the parts to make the re- installed work can be favoring and avoid damage.



## **I. Notice**

1. Thank you for choosing Der Koch range hoods. Please read the instruction manual carefully before use.
2. The installation work must be undertaken by a qualified and competent worker.
3. The manufacturer disclaims all liability for any damage or injury caused because of not following instructions for installation contained in the following text.
4. The range hood is used on 110V 60Hz.

## **II. Feature**

1. The range hood uses high quality materials, and is made with a streamlined design.
2. Equipped with a large power low noise electric motor and centrifugal leaf, it produces strong suction, low noise, non-stick grease filter and easy to clean.
3. With the isolated low voltage circuit board control, 12vAC input, the lights are therefore safer.
4. Integrated lamps provide high illumination in the kitchen area.

## **III. Safety Warning**

- The Der Koch range hood is for home use only, not suitable for barbecue, Roast shop and other commercial purpose.
- Please ask the technical person to do the assembling.
- The kitchen hood and its filter mesh should be clean regularly in order to keep in good working order.
- Before cleaning, please switch the power off at the main supply.
- For safety reason, please use only the same size of fixing or mounting screw which are recommended in this instruction manual. Failure to install the screws or fixing device in accordance with these instructions may result in electrical hazards.

- Clean the cooker hood according to the instruction manual and keep the unit from danger of burning. There is a fire risk if cleaning is not carried out in accordance with the instructions.
- **WARNING:** Before connecting the hood, switch off the electricity supply and check that the supplied voltage and frequency coincide with that indicated on the range hood rating label.
- If the supply cord is damaged, it must be replaced by Der Koch, in order to avoid a hazard.
- This appliance can be used by children aged from 8 years and above and persons with reduced physical, sensory or mental capabilities or lack of experience and knowledge if they have been given supervision or instruction concerning use of the appliance in a safe way and understand the hazards involved.
- Children should be supervised to ensure that they do not play with the appliance.
- Cleaning and user maintenance shall not be made by children without supervision.
- Do not flame under the range hood.
- **CAUTION:** Accessible parts may become hot when used with cooking appliance.
- The warning shall be in the same part of the instructions that include details of how to mount the equipment.
- Do not use flammable sprays in close vicinity to the appliance.
- Please dispose of the packing material carefully.
- Do not use flammable sprays in close vicinity to the appliance.
- We also recommend that great care be taken during use and cleaning. Please read the cleaning and maintenance sections.
- Don't use a steam cleaner to clean the range hood.
- The appliance is not intended to be operated by means of external timer or separated remote- control system.
- **WARNING:** Consult local regulations regarding fumes outlets. Do not connect the hood to a fume, ventilation or hot air duct.

Confirm that room ventilation is appropriate with the local authorities. Make sure the maximum air extraction flow rate for the appliances in the room does not exceed 4 Pa (0.04 m bar). The room must have adequate ventilation if an extractor hood is used simultaneously with appliances that run on gas or other fuels.

- The air must not be discharged into a flue that is used for exhausting fumes from appliances burning gas or other fuels.
- Regulations regarding air extraction must be complied with.
- **WARNING:** The hood may stop working during an electrostatic discharge (lightning). This involves no risk of damage. Switch off the electricity supply to the hood and reconnect after one minute.
- To avoid the risk of fire, clean the metal filter regularly and closely watch and regulate pans containing hot oil.
- Do not use the hood if it shows signs of damage or imperfection. Please contact our customer services.
- Flambe cooking must not be carried out underneath this appliance.
- When installing the appliance, make sure that the following distances between the top of cooker or hob and the lowest part of the cooker hood must be observed:

- a. Gas hobs: 75 cm.
- b. Electric hobs: 65 cm.



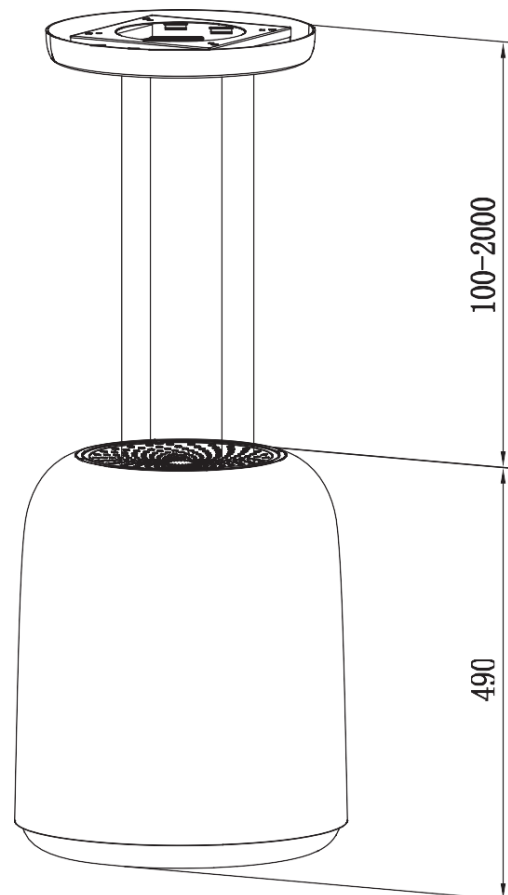
### Electrical Shock Hazard

- Only plug this unit into a properly earthed outlet. If in doubt seek advice from a suitably qualified engineer.
- Failure to follow these instructions can result in death, fire, or electrical shock.
- Means for disconnection must be incorporated in the fixed wiring in accordance with the wiring rules.












- An all-pole disconnection switch having a contact separation of at least 3 mm in all poles should be connected in fixed wiring.
- Regularly check the power plug and power cord for damage. If the supply cord is damaged, it must be replaced by the manufacturer, its service agent or similarly qualified persons in order to avoid a hazard.
- Do not allow the electric cables to touch the hot parts of the appliance.
- Make sure that the power cord is not caught under or in the appliance and avoid damage to the power cable.
- Do not install the appliance outdoors in a damp place or in an area which may be prone to water leaks such as under or near a sink unit. In the event of a water leak allow the machine to dry naturally.

#### IV. Main Parameters

<b>Model</b>	<b>Lübeck</b>
<b>Voltage</b>	110v/60Hz
<b>Rated motor input power</b>	210W
<b>Rated Power</b>	218W
<b>Lighting Power</b>	≤1*8W
<b>Drive Mode</b>	Single Motor
<b>Speed</b>	1 to 3
<b>Air tube diameter</b>	15 cm
<b>Air output</b>	≤750m <sup>3</sup> / hour
<b>Noise</b>	≤65dB



**Parts and description**

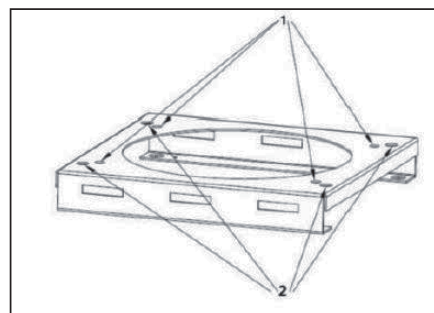
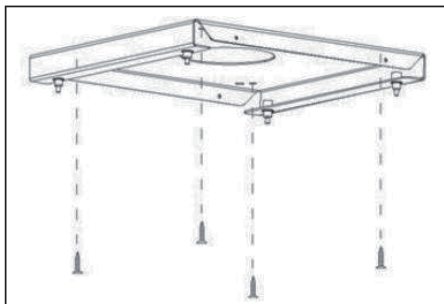
Part	Picture	Quantity
Main body		1
Fixing bracket cover		1
Fixing bracket		1
Top cover		1
Wire locker		2 (2 for spare use)
Screw (6 X 40mm)		6
Expansion screw(M6x60mm)		6
Main power cable without plug		
Fixing wire		(1 for spare use)
Charcoal filter		1
carbon filter support		1

## V. Installation

- Before installation, please ensure the area is clean to avoid suction of the remaining bits of broken wood and dust.
- It cannot share the same air ventilation tube with other appliance such as gas tube, warmer tube, and hot wind tube.
- The bending of ventilation tube should be  $\geq 120^\circ$ , parallel or above the start point and should be connected to the external wall.
- After installation, make sure that the extractor is level to avoid grease collection at one end.
- The cooker hoods should be placed at a distance of 65 to 75 cm from the cooking surface for best effect. The extractor should be mounted at the following distances above the counter top:
  - Above a gas hob or cooker – 75cm, but not exceeding 75cm.
  - Above an electrical hob or cooker – 65cm, but not exceeding 75cm.

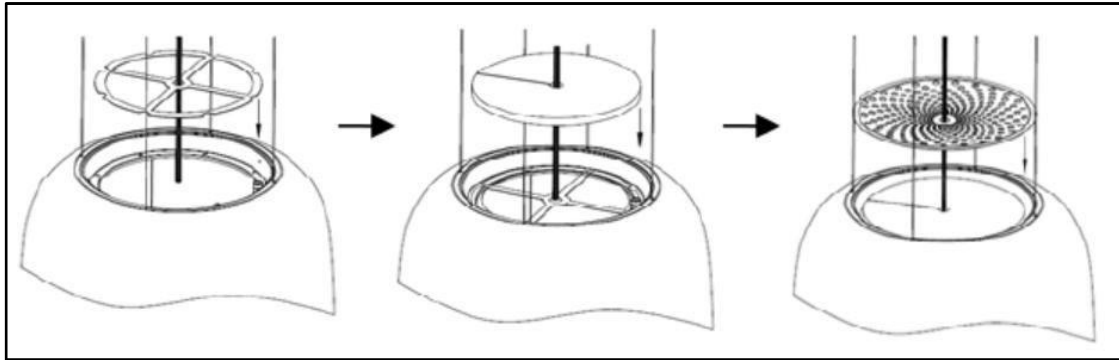
### Steps:

- 1) Place the fixing bracket on the ceiling and mark the position of the holes. The fixing plate should be securely fixed to the ceiling.
  - 4 X ST6 (40mm) screws for wooden ceilings.
  - 4 X M6 (60mm) expansion bolts for cement ceilings.



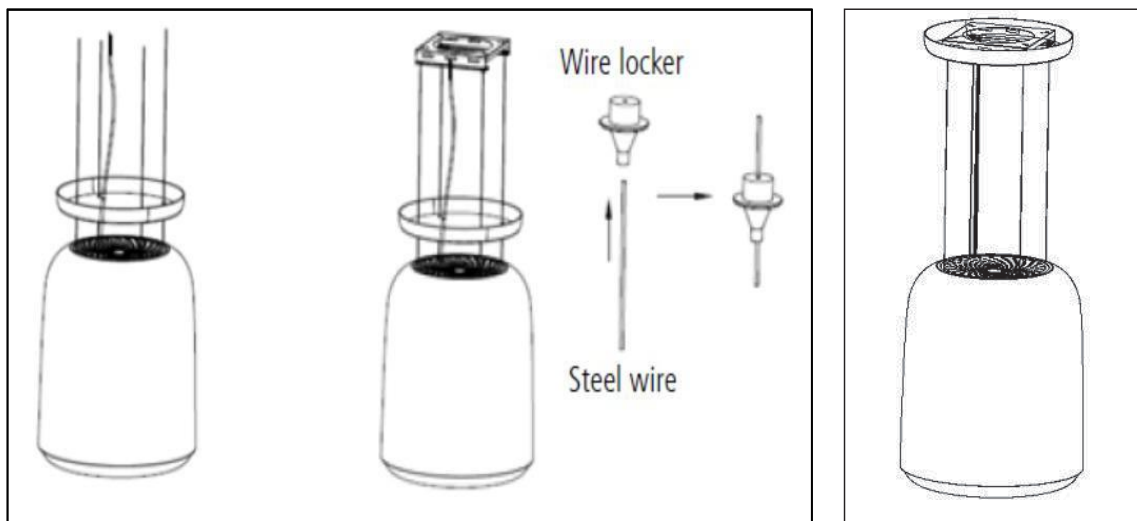
- 2) Pass the power cable through the carbon filter support. Gently lower the filter support until it rests on the hood.
  - Slide the charcoal filter onto the power cable and lower it down so that it rests on top of the support.
  - Pass the power cable through the metal top cover. Place it on top of the charcoal filter.
  - Pass the fixing wires and the power cable through the fixing bracket cover.





**3) NOTE: The next stage of the installation process MUST be completed by two people.**

- Fix the 4 steel wires to the fixing bracket using the wire lockers.
- Connect the power cable without plug
- Adjust the steel wires to a suitable length and check they are equal. This will ensure the hood is perfectly parallel to the ceiling and the correct position for use.



- 4) Push the fixing bracket cover up to the fixing bracket. Magnets will fix it in place.

**WARNING:**

Failure to install the screws or fixing device in accordance with these instructions may result in electrical hazards.

## VI. Operation

⏻	<b>Off button</b>	It's used for turning off the fan.
1	<b>Low Speed button</b>	It's used for Ventilation on the kitchen. It is suitable for simmering and cooking which do not make much steam.
2	<b>Medium Speed button</b>	Airflow speed is ideally for ventilation in standard cooking operation.
3	<b>High Speed button</b>	When high density of smoke or steam produced, press high-speed button for highest effective ventilation.
☼	<b>Light button</b>	Turn on/off the light.

### Set up WIFI control

#### You can download and installation of Tuya smart APP:

**Way1:** Enter mobile app market search Tuya and download app.

**Way2:** Scan the QR code with the scanning function of mobile phone to download and install the Tuya smart app



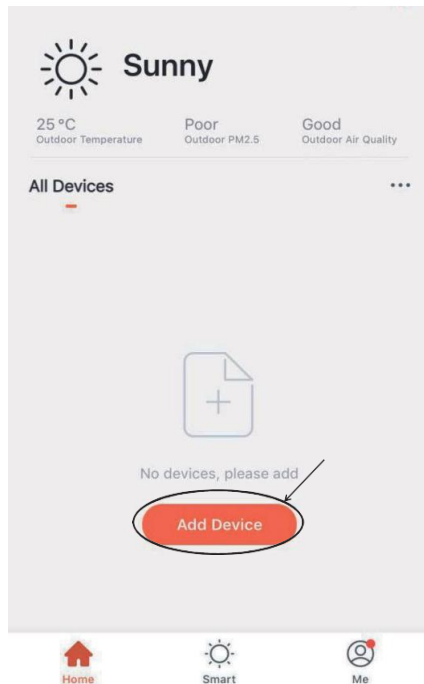
#### Pairing of mobile phone and WIFI module

The first time log in to Tuya smart app, need to create a new account. When creating a new account, follow the steps prompted by app to register.

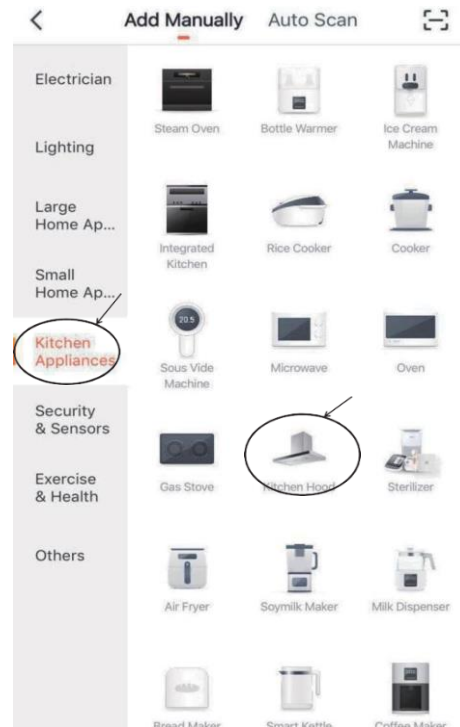
If have created an account, you can click create new account to log in using the existing account.

## Operation of Tuya smart app:

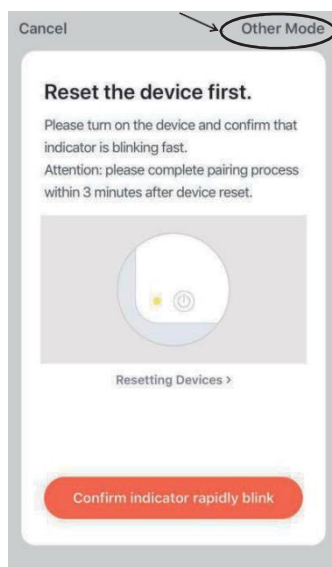
1. Click Add device to enter the manual adding interface



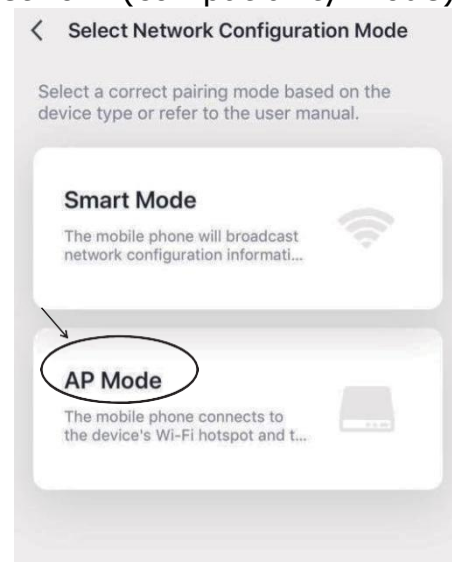
2. Choose "Kitchen Appliances" from the menu and then select "Kitchen Hood".



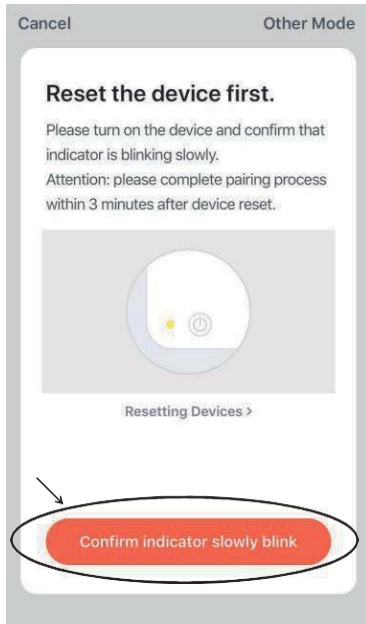
3. Choose "Other Mode"



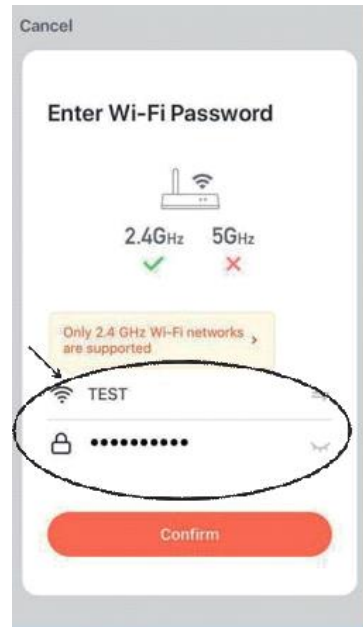
4. Select hot pot distribution network (compatibility mode)



5. Click the confirmation indicator to flash

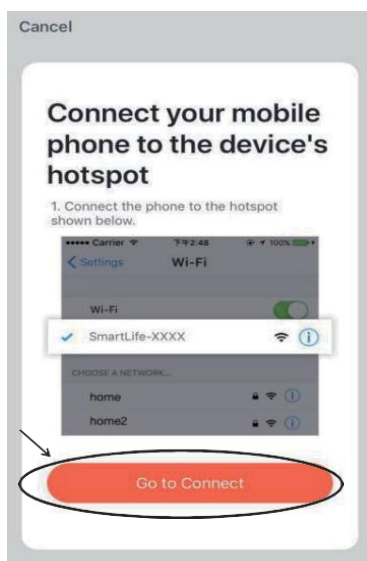


6. Fill in the current WIFI hot spot you can connect to, and then click "Confirm" to enter the next step.



8. Click to connect, and then operate the display. Press and hold the light key for dialing, and the dialing process will flash for 2 minutes. If the display flashing shows "8" and light on for 5 seconds, Buzzer sound on and then enter standby, indicating that the connection is successful.

If it is not connected within 2 minutes, it can be connected again.



Display interface



8. Click "WLAN"



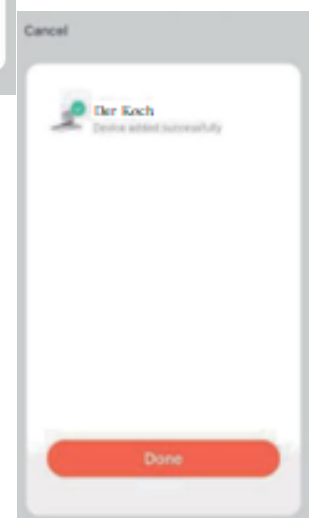
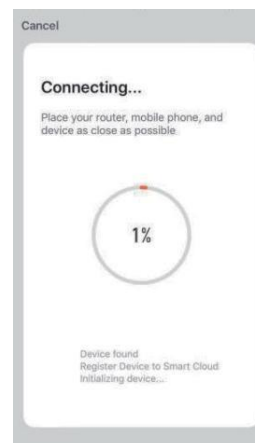
9. Select "smartlife-6f18".



10. After connecting "smartlife-6f18", click Tuya in the upper left corner to return to the app.



11. Matching and connecting WiFi module within 1 minute. If the connection is successful, the interface will pop up.



## VII. Maintenance

- To protect the main body from corrosion over a long period of time, the range hood should be cleaned with hot water plus non corrosive detergent every two months.
- Please do not use abrasive detergent for it will damage the body.
- Keep the motor and other spare parts free from water, as this will cause damage to the appliance.
- The carbon filter shouldn't be exposed to heat.
- If the plug or cord is damaged, please replace it with special soft cord.
- Before cleaning, switch off the unit by unplugging from the socket, or if connected directly to the mains, switch off at the isolator switch.

### Regular cleaning

Use a soft cloth moistened with hand-warm mildly soapy water or household cleaning detergent. Never use metal pads, chemical, abrasive material or stiff brush to clean the unit.

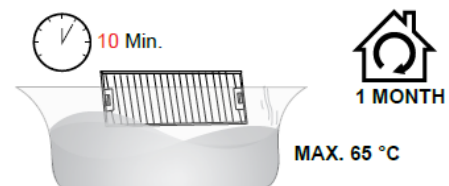
### Monthly cleaning of the grease filter (aluminum)

Clean the filter monthly to prevent fire hazards due to oil build up.

The aluminum filters collect oil, grease, smoke and dust, so their cleanliness directly affects the efficiency of the cooker hood. If not cleaned regularly, the grease build up will block the air from flowing through, thereby affect the suction rate of the extractor and the grease residue (which is potentially flammable) will saturate the filter.

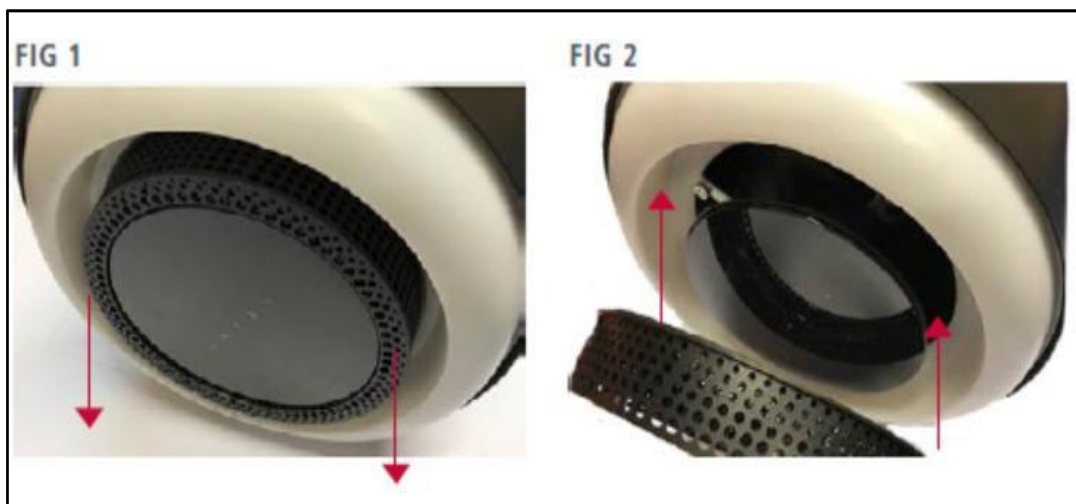
Clean it by removing from the extractor and submerging into hot soapy water and giving it a very gently clean with a cloth.

Put the filter into 40-50°C clean water, pour on detergent, and soak for 2-10 minutes. Wear gloves and clean with a soft brush. Please do not apply too much pressure, as the mesh is delicate and will damage easily.



- Clean with a soft cloth/brush. Rinse thoroughly and dry well.
- Clean the filter monthly. If the hood is used for more than 2 hours a day, we recommend that you increase the cleaning frequency.
- Depending on the hood use frequency, replace the filter in time! Always use genuine filters from the manufacturer.
- Cleaning the grease filters in the dishwasher may lead to discoloration, this is normal and is not a fault with the product.

The grease filter is located underneath the hood and surrounds the control panel. It is fixed by magnets, therefore to remove, hold both sides of the grease filter and carefully pull downwards (Fig.1). To re-install, simply push it back into place (Fig.2).

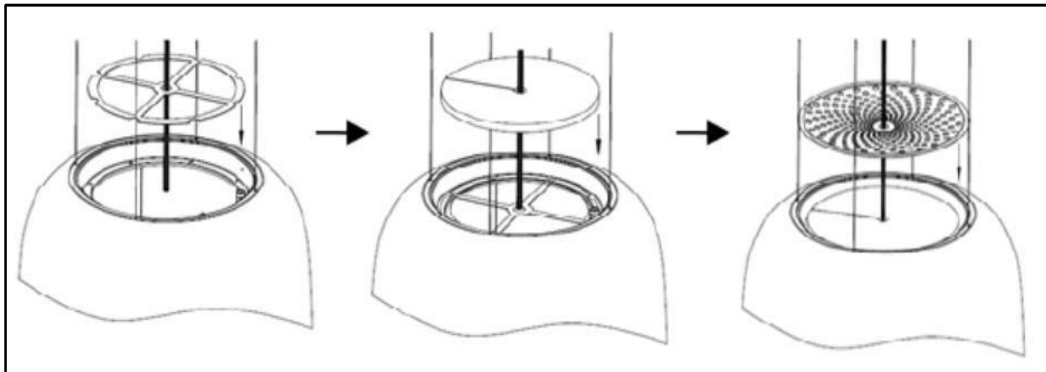


## Replacement of the carbon filter

Activated carbon filter can be used to trap odours. Normally the activated carbon filter should be changed every 3 to 6 months according to your cooking habits. It is suggested that a second person supports the hood meanwhile, the installation procedure of activated carbon filter is as below:

1. Before installing or replacing the carbon filters, disconnect the mains power to the unit.
2. Remove the metal top cover.

3. Remove the existing carbon filter by gently lifting it upwards and sideways off the power cable.



4. Fit the activated carbon filter by reversing the removal steps.
5. Slide the filter into the center of the power cable and lower onto the filter support, then lower the metal top cover on top.
6. Connect the range hood to the power supply.

**NOTE:**

- Make sure the filters are securely in position. Otherwise, it would loosen and cause danger.
- When activated carbon filter attached, the suction power will be slightly reduced.

**Replacing the bulb**

The LED lights strip (max 8w) should not require service. If there is an issue with the light, please contact Der Koch after sales service by email us to [info@derkochline.com](mailto:info@derkochline.com).



## VIII. Troubleshooting

<b>Fault</b>	<b>Cause</b>	<b>Solution</b>
Light comes on, but fan does not work	The fan blade is jammed.	Switch off the unit and repair by a qualified service agent.
	The motor is damaged.	
Both light and fan does not work	Light bulb burns.	Replace the bulb with correct rating.
	Power cord loose	Plug in to the power supply again.
Serious Vibration of the unit	The fan blade is damaged.	Switch off the unit and repair by qualified service agent.
	The fan motor is not fixed tightly.	Switch off the unit and repair by qualified service agent.
	The unit is not hung properly on the bracket.	Take down the unit and check whether the bracket is in the proper location.
Suction performance is not good	Check that the unit has been mounted at the correct height.	Readjust the distance to 65-75cm

# Warranty Certificate

This "Warranty Certificate" is extended for a twelve-month coverage on the equipment detailed below, from the date of purchase and under the conditions stipulated:

Our obligation within the terms of this guarantee is to replace, without charge to the Client, any part that, in our opinion, has manufacturing defects.

Technical services will be presented exclusively at our facilities. Transportation and per diems will be borne by the Client in any work that must be done outside our facilities.

The guarantee is effective only on accounts that are fully paid to request the service.

## **This warranty does not cover:**

Damage caused to removable parts: light bulbs, glass, external cables and possible accessories.

Damage caused by blows or use of abrasives to the structure.

Damage caused by misuse of the item, lack of maintenance or excessive loads.

Damage caused to the unit or any part, due to improper voltage or incorrect electrical installations.

Any electrical variation greater or less than 10% of what is indicated by the manufacturer will be considered inadequate, and therefore not covered by this warranty.

After twelve months of original warranty, any repair or adjustment will be paid by the Client, including labor, spare parts, per diem, transportation or any other expenses.

This guarantee is void if it is confirmed that a mechanism has been manipulated by another person or workshop not authorized by us.

If the item does not work properly, please immediately notify your distributor or email to [info@derkochline.com](mailto:info@derkochline.com)

Invoice No: \_\_\_\_\_

Date of purchase: \_\_\_\_\_

Model: Lübeck