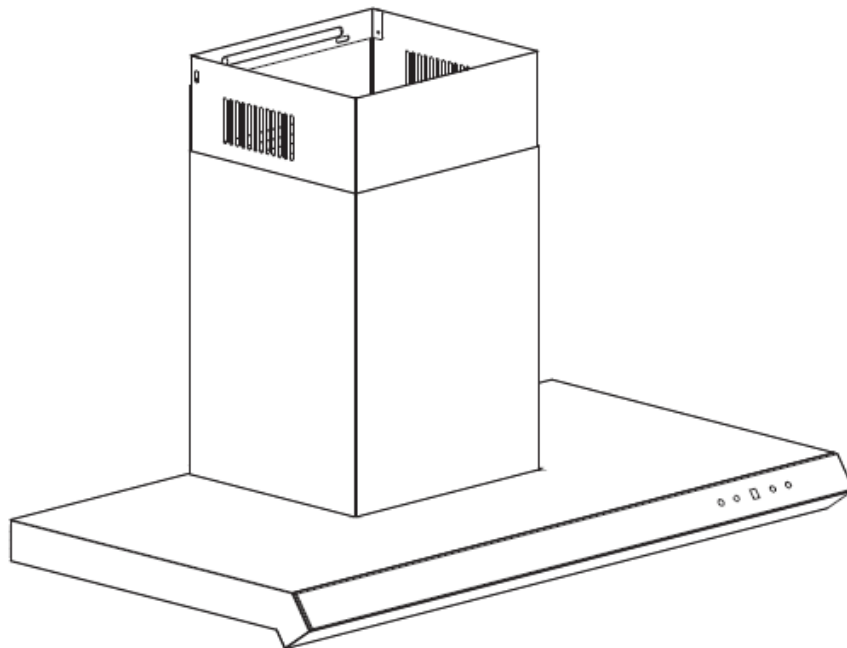




DER KOCH
German Line

**Installation and use manual for
Der Koch range hoods**



Kassel

Nuremberg

Nuremberg Island

Table of contents

I. Notice	3
II. Feature	3
III. Safety Warning	3
IV. Installation	5
Kassel Installation	6
Nuremberg Installation	9
Nuremberg Island Installation	11
V. Operation	13
VI. Maintenance	13
Regular cleaning	13
Monthly cleaning of the grease filter (aluminum)	14
Replacing the bulb	14
VII. Main Parameters	15
VIII. Troubleshooting	16
Warranty Certificate.....	17

ENVIRONMENTAL PROTECTION

Waste electrical products should not be disposed of with household waste. Please recycle where facilities exist. Check with your Local Authority or retailer for recycling advice.

This appliance is marked according to the European directive 2012/19/EU on Waste Electrical and Electronic Equipment (WEEE).

By ensuring this product is disposed of correctly, you will help prevent potential negative consequences for the environment and human health, which could otherwise be caused by inappropriate waste handling of this product.

The symbol on the product indicates that this product may not be treated as household waste. Instead, it shall be handed over to the applicable collection point for the recycling of electrical and electronic equipment

Disposal must be carried out in accordance with local environmental regulations for waste disposal.

For more detailed information about treatment, recovery and recycling of this product, please contact your local city office, your household waste disposal service or the shop where you purchased the product



I. Notice

1. Thank you for choosing Der Koch range hoods. Please read the instruction manual carefully before use.
2. The installation work must be undertaken by a qualified and competent worker.
3. The manufacturer disclaims all liability for any damage or injury caused because of not following instructions for installation contained in the following text.
4. The range hood is used on 110V 60Hz.

II. Feature

1. The range hood uses high quality materials, and is made with a streamlined design.
2. Equipped with a large power low noise electric motor and centrifugal leaf, it produces strong suction, low noise, non-stick grease filter and easy to clean.
3. With the isolated low voltage circuit board control, 12vAC input, the lights are therefore safer.
4. Integrated lamps provide high illumination in the kitchen area.

III. Safety Warning

- The Der Koch range hood is for home use only, not suitable for barbecue, roast shop and other commercial purpose. Only the model Kassel is suitable for barbecue.
- Please ask the technical person to do the assembling.
- The kitchen hood and its filter mesh should be clean regularly in order to keep in good working order.
- Before cleaning, please switch the power off at the main supply.
- For safety reason, please use only the same size of fixing or mounting screw which are recommended in this instruction manual. Failure to install the screws or fixing device in accordance with these instructions may result in electrical hazards.

- Clean the cooker hood according to the instruction manual and keep the unit from danger of burning. There is a fire risk if cleaning is not carried out in accordance with the instructions.
- Forbid the direct baking from the gas cooker. If using this range hood above a gas hob or cooker, please remove the cloth carbon filter and use just the aluminium filters.
- Please keep the kitchen room a good convection.
- If the supply cord is damaged, it must be replaced by Der Koch, in order to avoid a hazard.
- There shall be adequate ventilation of the room when the range hood is used at the same time as appliances burning gas or other fuels; the air must not be discharged into a flue that is used for exhausting fumes from appliances burning gas or other fuels; regulations concerning the discharge of air have to be fulfilled.
- This appliance can be used by children aged from 8 years and above and persons with reduced physical, sensory or mental capabilities or lack of experience and knowledge if they have been given supervision or instruction concerning use of the appliance in a safe way and understand the hazards involved.
- Children should be supervised to ensure that they do not play with the appliance.
- Cleaning and user maintenance shall not be made by children without supervision.
- Do not flame under the range hood.
- **CAUTION:** Accessible parts may become hot when used with cooking appliance.
- The warning shall be in the same part of the instructions that include details of how to mount the equipment.

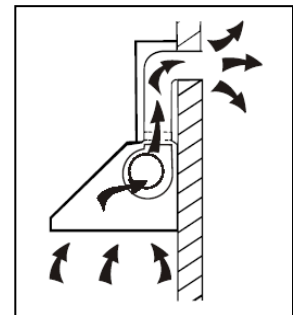
Electrical Shock Hazard

- Only plug this unit into a properly earthed outlet. If in doubt seek advice from a suitably qualified engineer.
- Failure to follow these instructions can result in death, fire, or electrical shock.

IV. Installation

- Before installation, please ensure the area is clean to avoid suction of the remaining bits of broken wood and dust.
- It cannot share the same air ventilation tube with other appliance such as gas tube, warmer tube, and hot wind tube.
- The bending of ventilation tube should be $\geq 120^\circ$, parallel or above the start point and should be connected to the external wall.
- After installation, make sure that the extractor is level to avoid grease collection at one end.

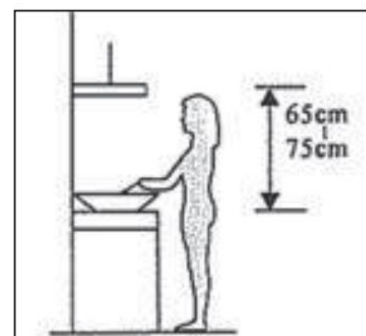
1. If you plan on ducting the air to the outside, your extractor can be connected as per the picture to a ducting pipe with an internal diameter of 150mm.



2. Before installation, turn the unit off and unplug it from the outlet.

3. The extractor should be mounted at the following distances above the counter top:

- Above a gas hob or cooker – 75cm, but not exceeding 75cm.
- Above an electrical hob or cooker – 65cm, but not exceeding 75cm.



Installation (Vent outside):

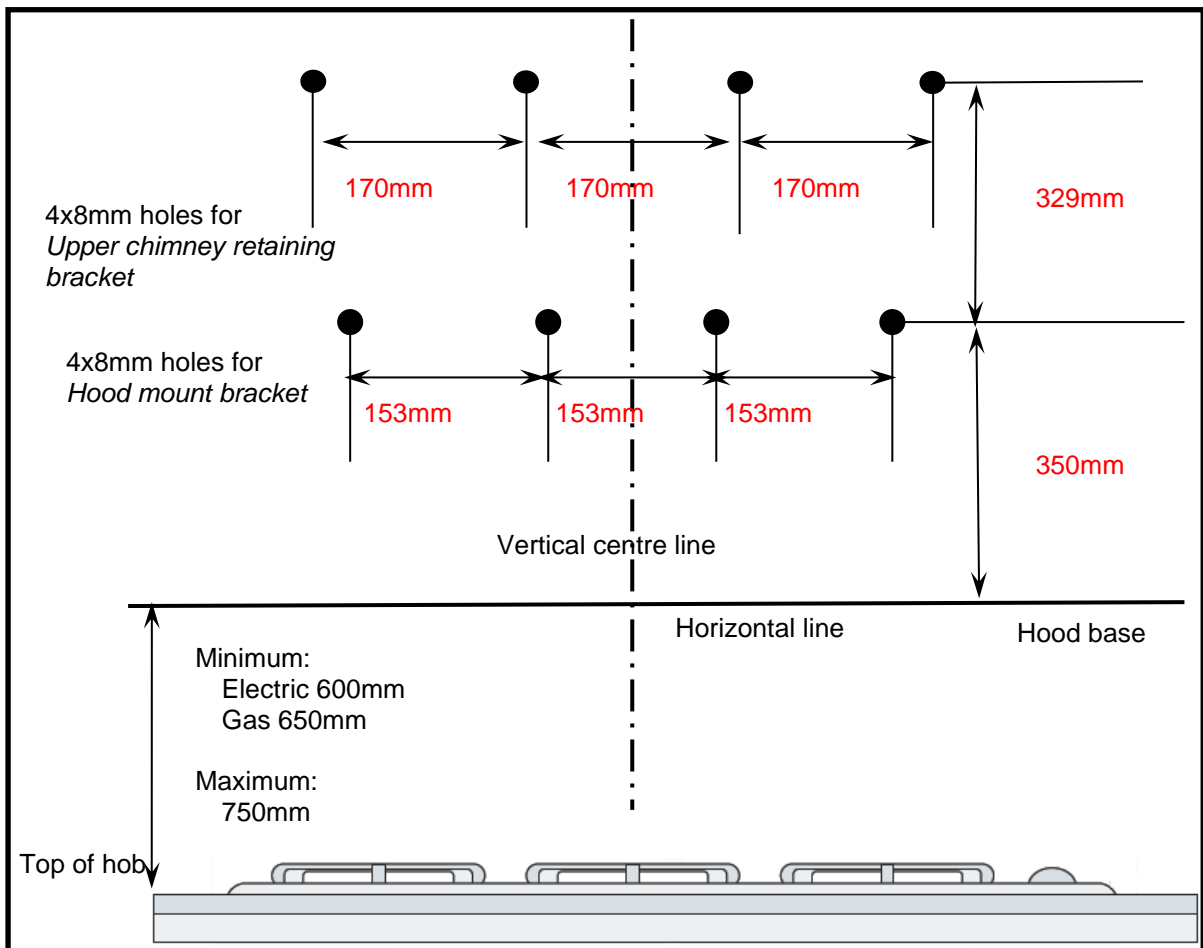
Attention! Observe the warning in the instruction sheet concerning the operation of the appliance when air is discharged from the room.

Kassel Installation

- Using a spirit level, mark a vertical line on the wall (Central to the cook top installed below) to indicate the centre location of the hood and a horizontal line where the hood base will be positioned. Drill holes as per below drawing and insert *dry wall anchor plugs* into holes.

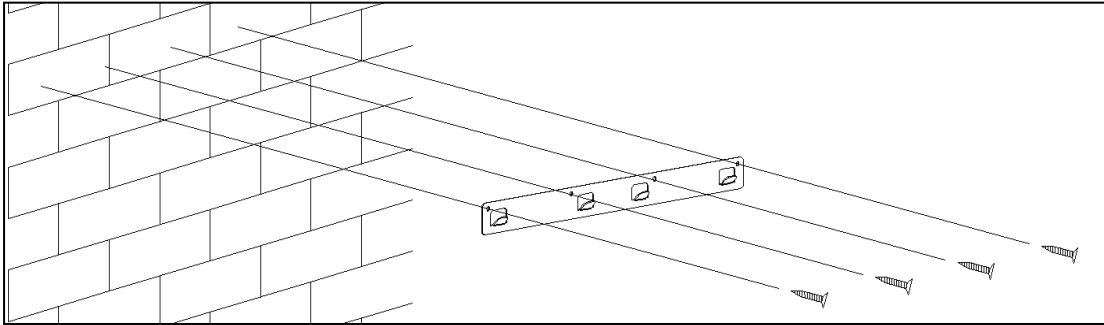
NOTE:

The distance from the horizontal line to an electrical cooktop underneath must be minimum of 600mm & 650mm to the gas cook top and a maximum height of 750mm (refer to table below).

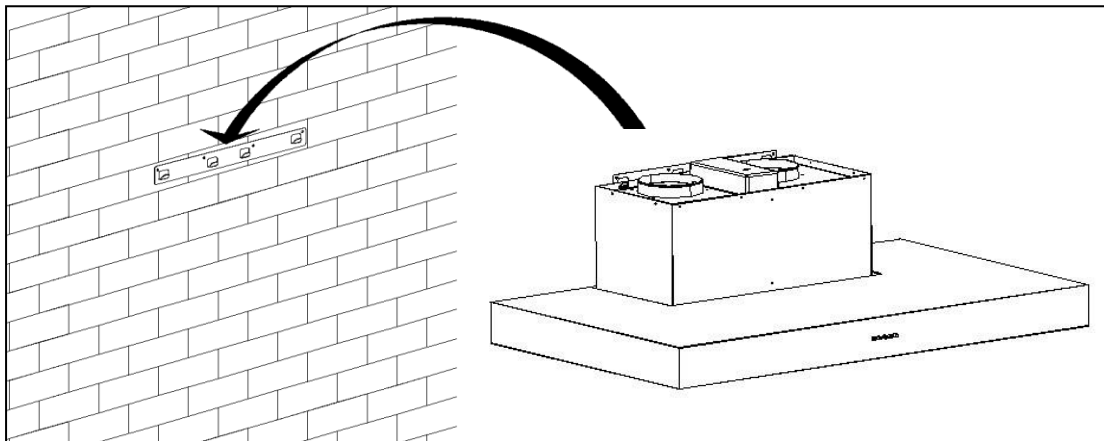


***If the instructions of the hob specify a greater distance than the minimum above, then that shall be the minimum height for installation**

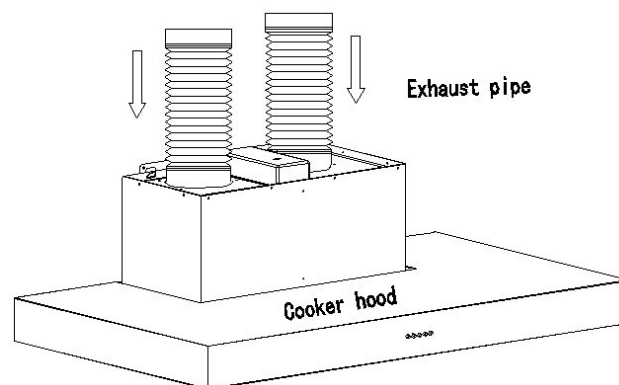
2. Fasten Hood mount bracket by 4pcs ST4x30mm screws.



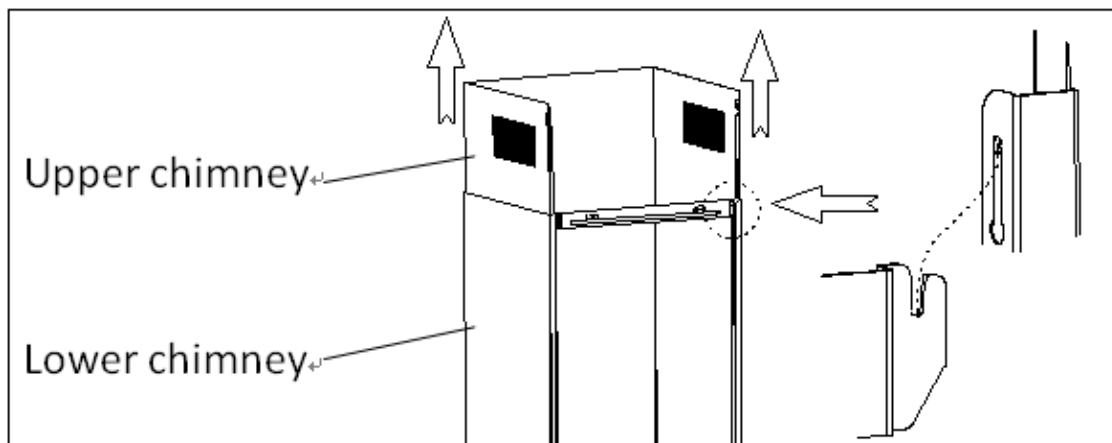
3. Hang on the main body of range hood.



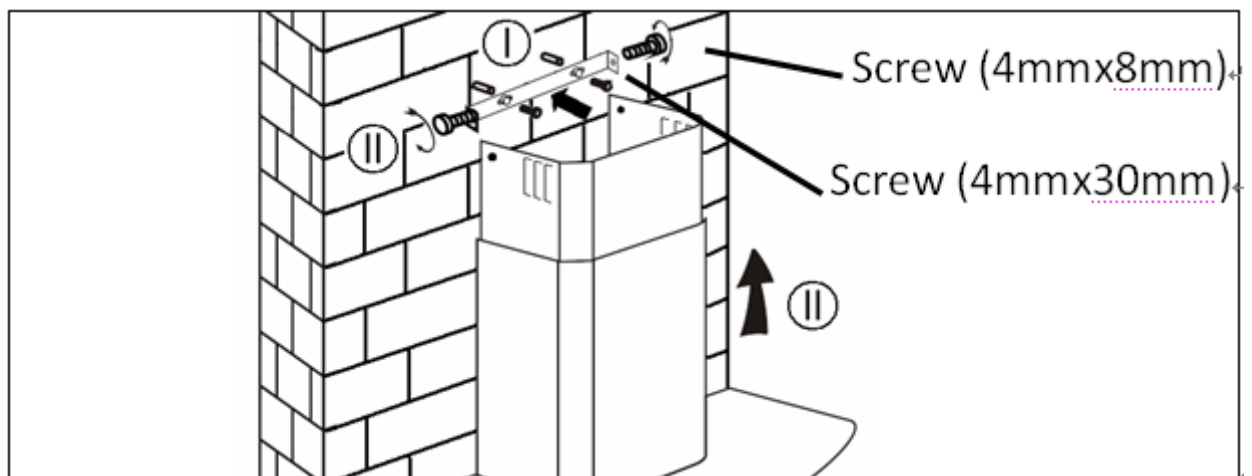
4. Fit the *outlet* and *flexible exhaust duct* onto outlet.



5. Slide out *Upper Decorative Chimney* to desired height.



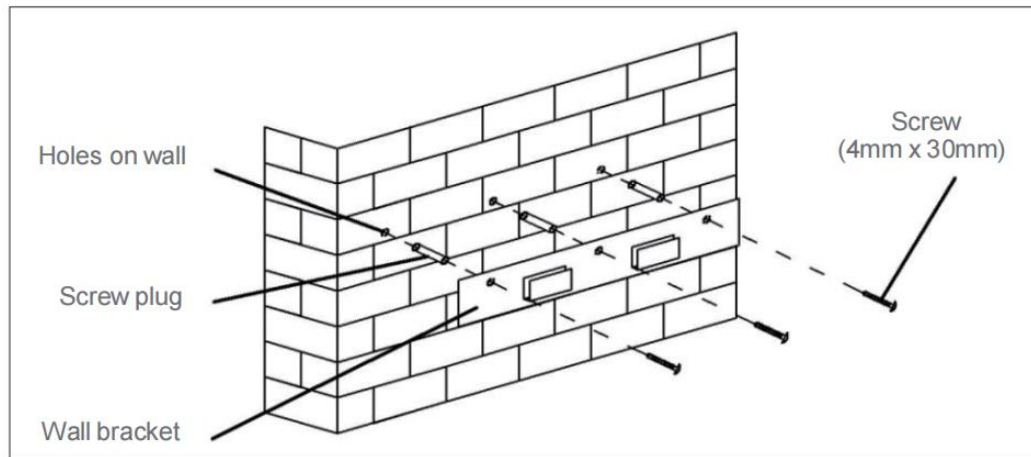
6. Fasten Upper chimney retaining bracket by 4 pcs ST4x30mm screws, then fasten 2 pcs ST4x8mm screws at side to fix Upper Decorative Chimney.



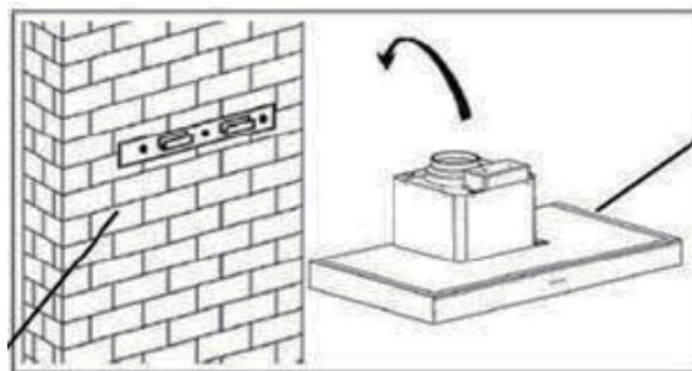
7. Remove all blue protective film on chimney and cooker hood, the installation is now finished.

Nuremberg Installation

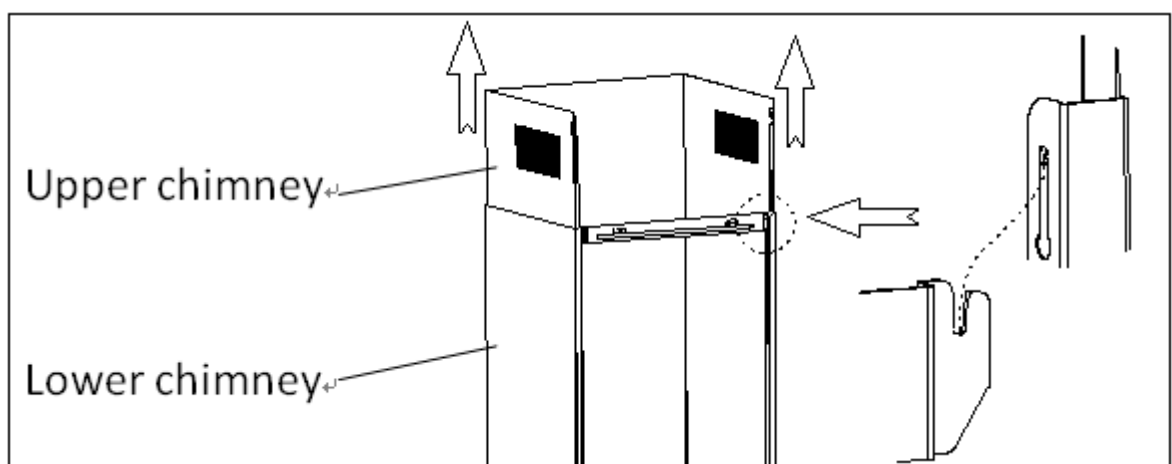
1. Drill 3 x 8mm holes to accommodate the bracket. Screw and tighten the bracket onto the wall with the screws & screw plugs provided.



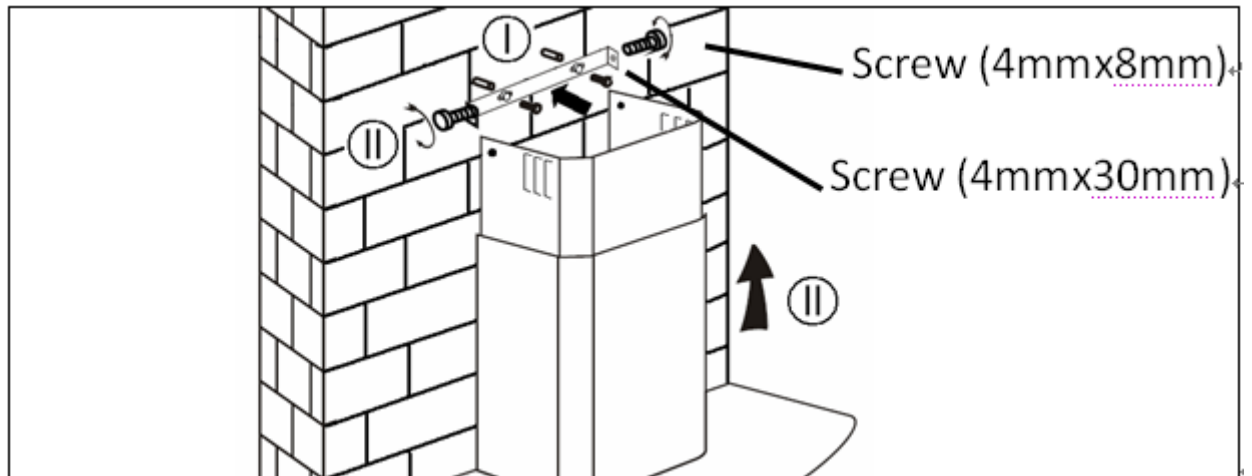
2. Offer up the cooker hood and hang onto the wall bracket hook.



3. Slide out Upper Decorative Chimney to desired height.

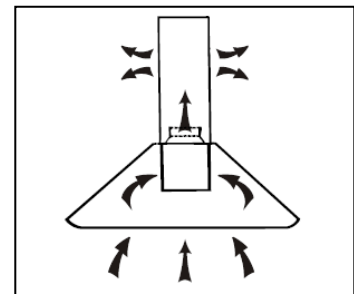


4. Fasten Upper chimney retaining bracket by 4 pcs ST4x30mm screws, then fasten 2 pcs ST4x8mm screws at side to fix Upper Decorative Chimney.



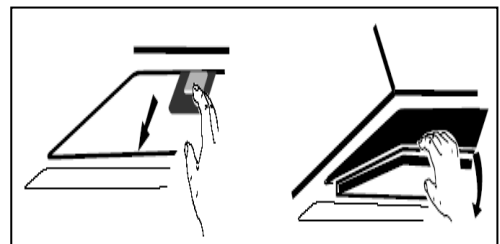
Indoor Ventilation

If you do not have an outlet to the outside, exhaust pipe is not required.



Activated carbon filter can be used to trap odours.

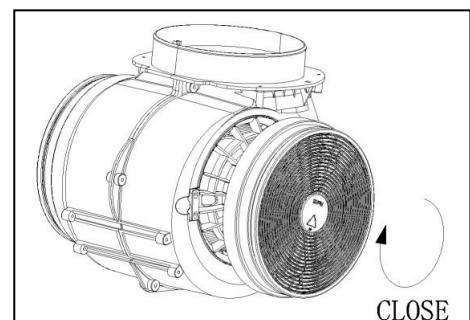
In order to install the activated carbon filter, the grease filter should be detached first. Press the lock and pull it downward.



Plug the activated carbon filter into the unit and turn it in clockwise direction. Repeat the same on the other side.

NOTE:

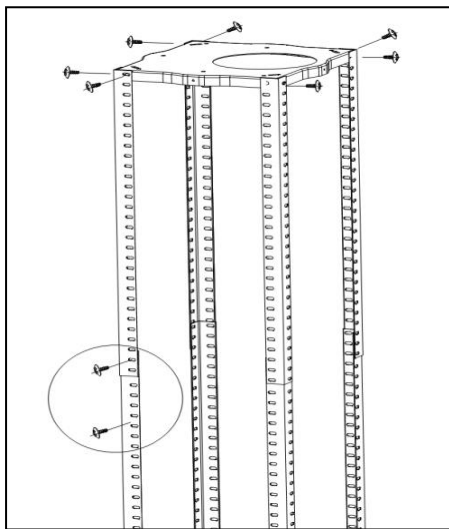
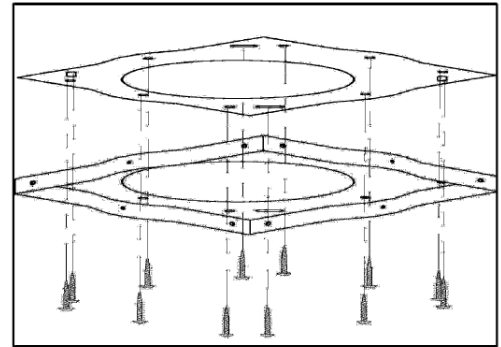
- o Make sure the filter is securely locked. Otherwise, it would loosen and cause dangerous.
- o When activated carbon filter attached, the suction power will be lower.



Nuremberg Island Installation

1) Position the hanging plate on the ceiling and then mark the position of the screw holes. The hanging plate should be securely fixed to the ceiling,

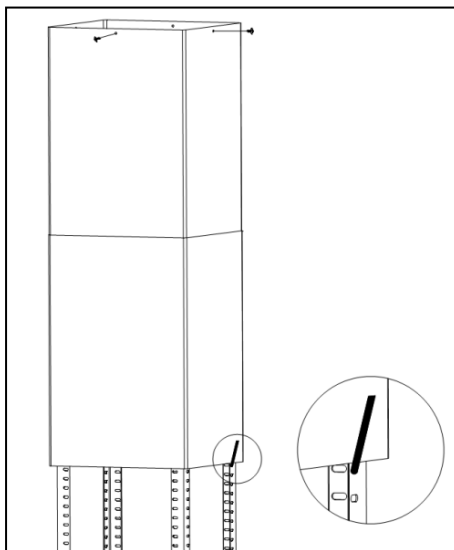
- 11 x ST6 (40 mm) screws for wooden ceiling
- 8 x expansion bolts for cement ceiling



2) Fix the angle bars to the hanging plate, using the 8 x M5 screws.

3) Extend the angle bars to the required height and then fix them in position using the 16 x M5 screws and nuts with metal washers.

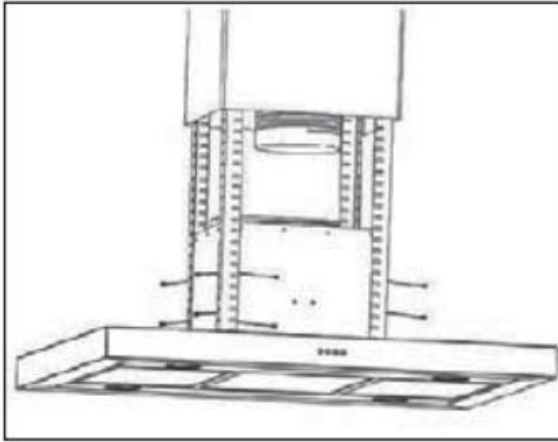
IMPORTANT: The angle bars must have an overlap of AT LEAST 100 mm.



4) If your cooker hood is going to be used in extraction mode, then you should connect the ducting hose to the ceiling adaptor at this point.

Fix the upper chimney section to the hanging plate, using the 4 x self-tapping screws.

Slide the lower chimney section onto the angle bars and raise it until it sits just below the upper chimney section.

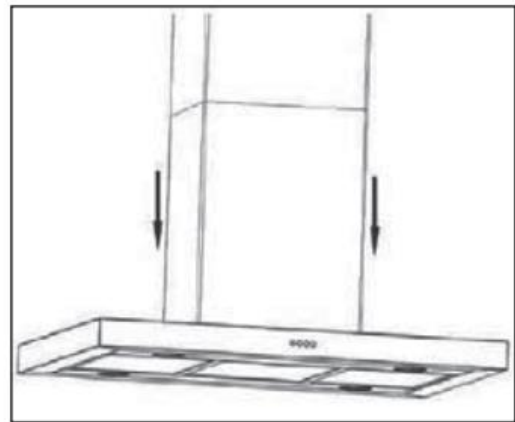


5) Lift the main body of the cooker hood onto the angle bar and then fix it into position using the 16 x M5 screws.

IMPORTANT: This stage of the installation process MUST be completed by two people.

IMPORTANT: The 16 x M5 screws MUST be securely tightened.

6) Pull down the upper chimney onto the cooker hood.



- The electrical connection must correspond to the electrical requirement noted on the rating plate, which is placed inside the cooker hood. The appliance should now be connected to the electrical supply.
- Check that the appliance is operating correctly by selecting each speed and switching the light bulbs on and off.
- Remove the hanging hook and then slide the lower chimney section downwards, until it rests against the main body of the cooker hood.
- Use a stainless-steel cleaner and polish on the stainless-steel sections of the appliance.
- If you are using the appliance in re-circulation mode, then you should now fit the carbon filter. See the "fitting the carbon filter" section on page 10.

V. Operation



1. Push the ① / ⏻ **Power** button to turn power ON/OFF.
2. Push the ② **Low** button and the motor runs at low speed.
3. Push the ③ **Medium** button and the motor runs at mid speed.
4. Push the ④ **High** button and the motor runs at high speed.
5. Push the ⑤ **Light** button to turn on/off the light.

VI. Maintenance

- To protect the main body from corrosion over a long period of time, the range hood should be cleaned with hot water plus non corrosive detergent every two months.
- Please do not use abrasive detergent for it will damage the body.
- Keep the motor and other spare parts free from water, as this will cause damage to the appliance.
- The carbon filter shouldn't be exposed to heat.
- If the plug or cord is damaged, please replace it with special soft cord.
- Before cleaning, switch off the unit by unplugging from the wall socket, or if connected directly to the mains, switch off at the isolator switch.

Regular cleaning

Use a soft cloth moistened with hand-warm mildly soapy water or household cleaning detergent. Never use metal pads, chemical, abrasive material or stiff brush to clean the unit.

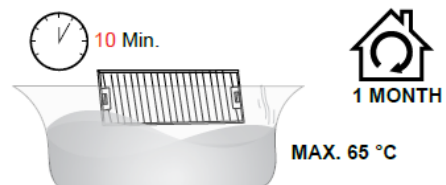
Monthly cleaning of the grease filter (aluminum)

Clean the filter monthly to prevent fire hazards due to oil build up.

The aluminium filters collect oil, so their cleanliness directly affects the extractor's efficiency. If not cleaned regularly, the grease build up will block the air from flowing through and thereby affect the suction rate of the extractor.

Clean it by removing from the extractor and submerging into hot soapy water and giving it a very gently clean with a cloth.

Put the filter into 40-50°C clean water, pour on detergent, and soak for 2-10 minutes. Wear gloves and clean with a soft brush. Please do not apply too much pressure, as the mesh is delicate and will damage easily.



- Clean with a soft cloth/brush. Rinse thoroughly and dry well.
- Clean the filter monthly. If the hood is used for more than 2 hours a day, we recommend that you increase the cleaning frequency.
- Depending on the hood use frequency, replace the filter in time! Always use genuine filters from the manufacturer.

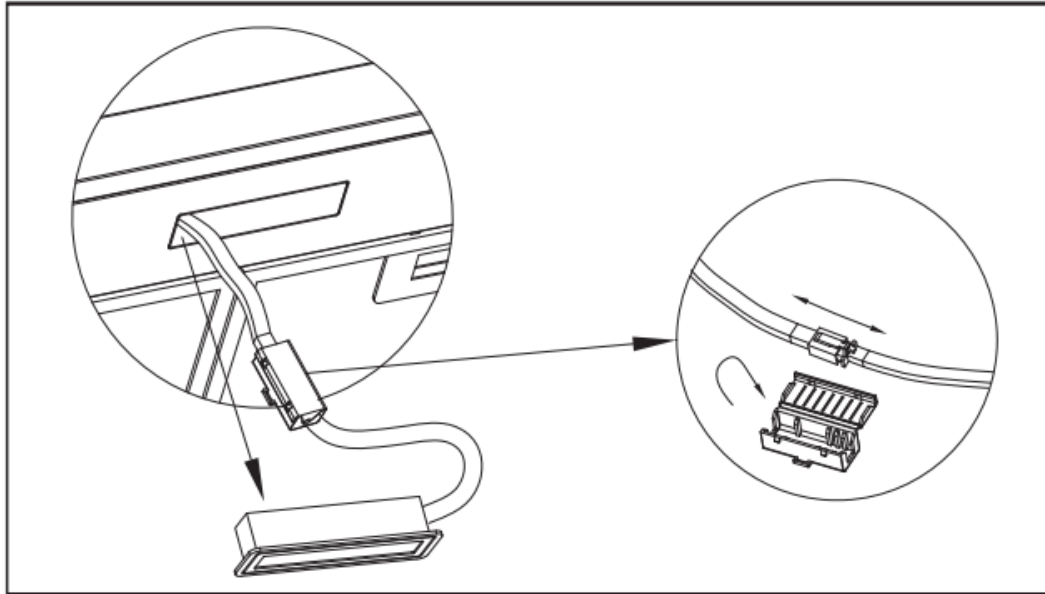
Replacing the bulb

Always switch off the electricity supply before carrying out any operations on the appliance. When handling bulb, make sure it has completely cooled down before any direct contact with hands.

Model: Kassel

Replace the light with another which has the same characteristics. A higher voltage bulb could damage the electrical unit.

- Removing and replacing the light.
- Remove grease filters and push out the light.
- Open the wire connector and disconnect terminal.
- Replace damaged lights and reconnect the terminal.
- Reverse the procedure for refitting.



Max wattage: 2 W
Voltage range: 110-127 V

MODEL: Nuremberg & Nuremberg Island

LED panel (max wattage: 8W)

The LED panel should not require service.

If there is an issue with a LED panel, please email us to info@derkochline.com.

VII. Main Parameters

Model	Kassel	Nuremberg	Nuremberg Island
Voltage			110v/60Hz
Rated motor input power	640W	210W	210W
Rated Power	640W	218W	218W
Lighting Power	≤6*2W	≤1*8W	≤1*8W
Drive Mode	Double Motor	Single Motor	Single Motor
Speed	1 to 3	1 to 3	1 to 3
Air tube diameter	15 cm	15 cm	15 cm
Air output	≤2000m ³ /hour	≤750m ³ /hour	≤750m ³ /hour
Noise	≤68.3dB	≤65dB	≤65dB

VIII. Troubleshooting

Fault	Cause	Solution
Light comes on, but fan does not work	The fan blade is jammed.	Switch off the unit and repair by a qualified service agent.
	The motor is damaged.	
Both light and fan does not work	Light bulb burns.	Replace the bulb with correct rating.
	Power cord loose	Plug in to the power supply again.
Serious Vibration of the unit	The fan blade is damaged.	Switch off the unit and repair by qualified service agent.
	The fan motor is not fixed tightly.	Switch off the unit and repair by qualified service agent.
	The unit is not hung properly on the bracket.	Take down the unit and check whether the bracket is in the proper location.
Suction performance is not good	Check that the unit has been mounted at the correct height.	Readjust the distance to 65-75cm

Warranty Certificate

This "Warranty Certificate" is extended for a twelve-month coverage on the equipment detailed below, from the date of purchase and under the conditions stipulated:

Our obligation within the terms of this guarantee is to replace, without charge to the Client, any part that, in our opinion, has manufacturing defects.

Technical services will be presented exclusively at our facilities. Transportation and per diems will be borne by the Client in any work that must be done outside our facilities.

The guarantee is effective only on accounts that are fully paid to request the service.

This warranty does not cover:

Damage caused to removable parts: light bulbs, glass, external cables and possible accessories.

Damage caused by blows or use of abrasives to the structure.

Damage caused by misuse of the item, lack of maintenance or excessive loads.

Damage caused to the unit or any part, due to improper voltage or incorrect electrical installations.

Any electrical variation greater or less than 10% of what is indicated by the manufacturer will be considered inadequate, and therefore not covered by this warranty.

After twelve months of original warranty, any repair or adjustment will be paid by the Client, including labor, spare parts, per diem, transportation or any other expenses.

This guarantee is void if it is confirmed that a mechanism has been manipulated by another person or workshop not authorized by us.

If the item does not work properly, please immediately notify your distributor or email to info@derkochline.com

Invoice No: _____

Date of purchase: _____

Model: _____