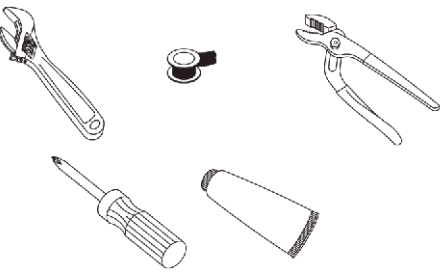


# Installation

## Tools

- Adjustable Wrench (2)
  - Teflon Tape
  - Groove Joint Plier
  - Phillips Screwdriver
  - Silicone Sealant
- 

## Maintenance

Your new faucet is designed for years of trouble-free performance. Keep it looking new by cleaning it periodically with a soft cloth. Avoid abrasive cleaners, steel wool and harsh chemicals as these will dull the finish and void your warranty.

## Safety Tips

- If you use soldering for the installation of the faucet, the seats, cartridges and washers will have to be removed before using flame. Otherwise, the warranty will be void on these parts.
- Protect your eyes with safety glass when cutting or soldering water supply lines.
- Cover your drain to avoid losing parts.

## Important Points

Prior to beginning installation, turn off the cold and hot water lines and turn on the old faucet to release built-up pressure. When installing your new faucet, turn the connector nuts finger tight, then use a wrench to anchor the fitting and a second wrench to tighten the nut one additional turn. Connections that are too tight can compromise the integrity of the system. Wrap all threaded connections with a teflon tape. Always wrap in a clockwise direction.

## Need Help

Have a question? Just call 506 22252790, 8 a. m. to 5 p. m. Monday-Friday, or send emails to [info@derkochline.com](mailto:info@derkochline.com)

For Models: Grimma

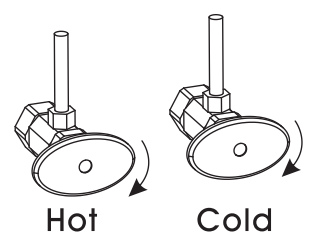
## Single Handle Pull-down Kitchen Faucet



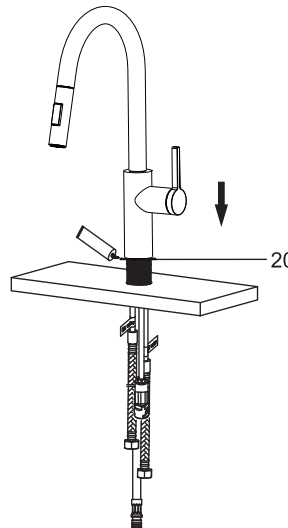
Importado y distribuido por/ Imported and distributed by  
 Sun International Trade SUNITCO S.A.  
 Website: [www.derkochline.com](http://www.derkochline.com)  
 Email: [info@derkochline.com](mailto:info@derkochline.com)  
**SAN JOSE, COSTA RICA**

## Preparation/Assembly

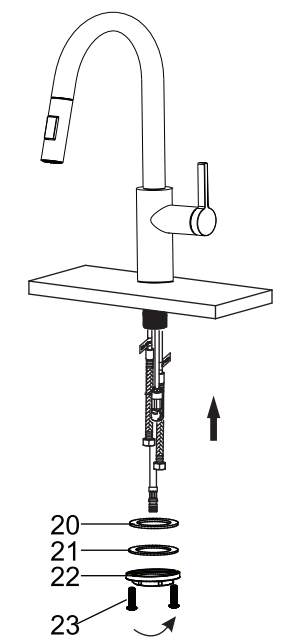
1. Shut off water supply before installation. Remove current faucet and clean and dry the sink surface the new faucet will be installed on.



2. For single hole installation - Place silicone sealant beneath the rubber gasket (#20) and install the faucet through the single faucet hole.

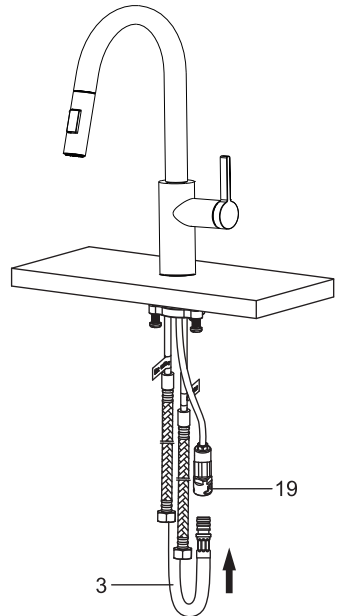


3. Stainless steel gasket (#21) and lock nut (#22) from the bottom. **Please Note:** Please assemble in numerical order. Tighten but do not over tighten. Use a phillips screwdriver to tighten the 2 screws (#23) on the lock nut(#22). See diagram for visual.

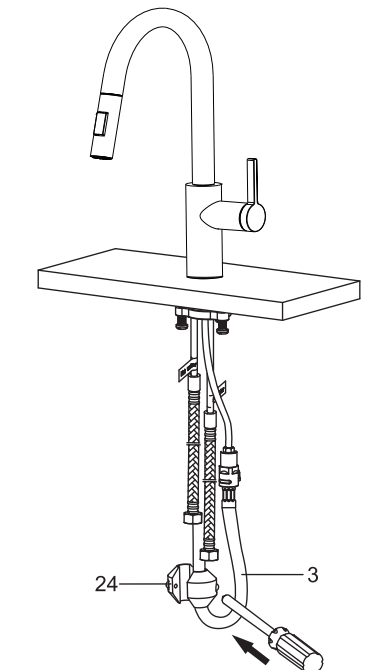


## Preparation/Assembly

4. Attach the hose (#3) to the quick connect assembly (#19). Be sure to fully insert the hose (#3) you will hear a light click or popping sound when connected (see diagram).



5. Attach the weight (#24) to the lowest point on the downward side of the hose (#3) to prevent the hose (#3) from twisting. The weight can be installed facing either direction, it will not move once tightened down.



Step 1-3

Have a question? Just call 506 22252790, 8 a. m. to 5 p. m. Monday-Friday, or send emails to [info@derkochline.com](mailto:info@derkochline.com)

Step 4-5

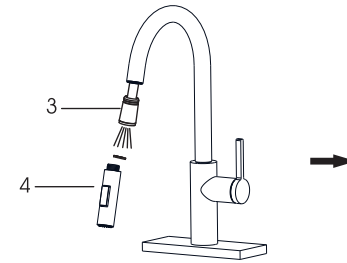
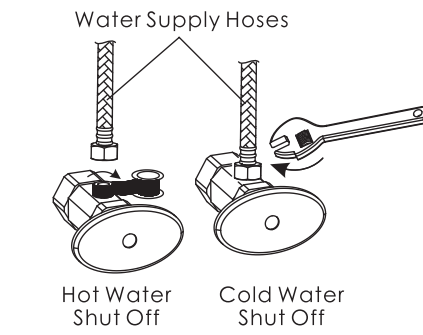
Have a question? Just call 506 22252790, 8 a. m. to 5 p. m. Monday-Friday, or send emails to [info@derkochline.com](mailto:info@derkochline.com)

# Preparation/Assembly

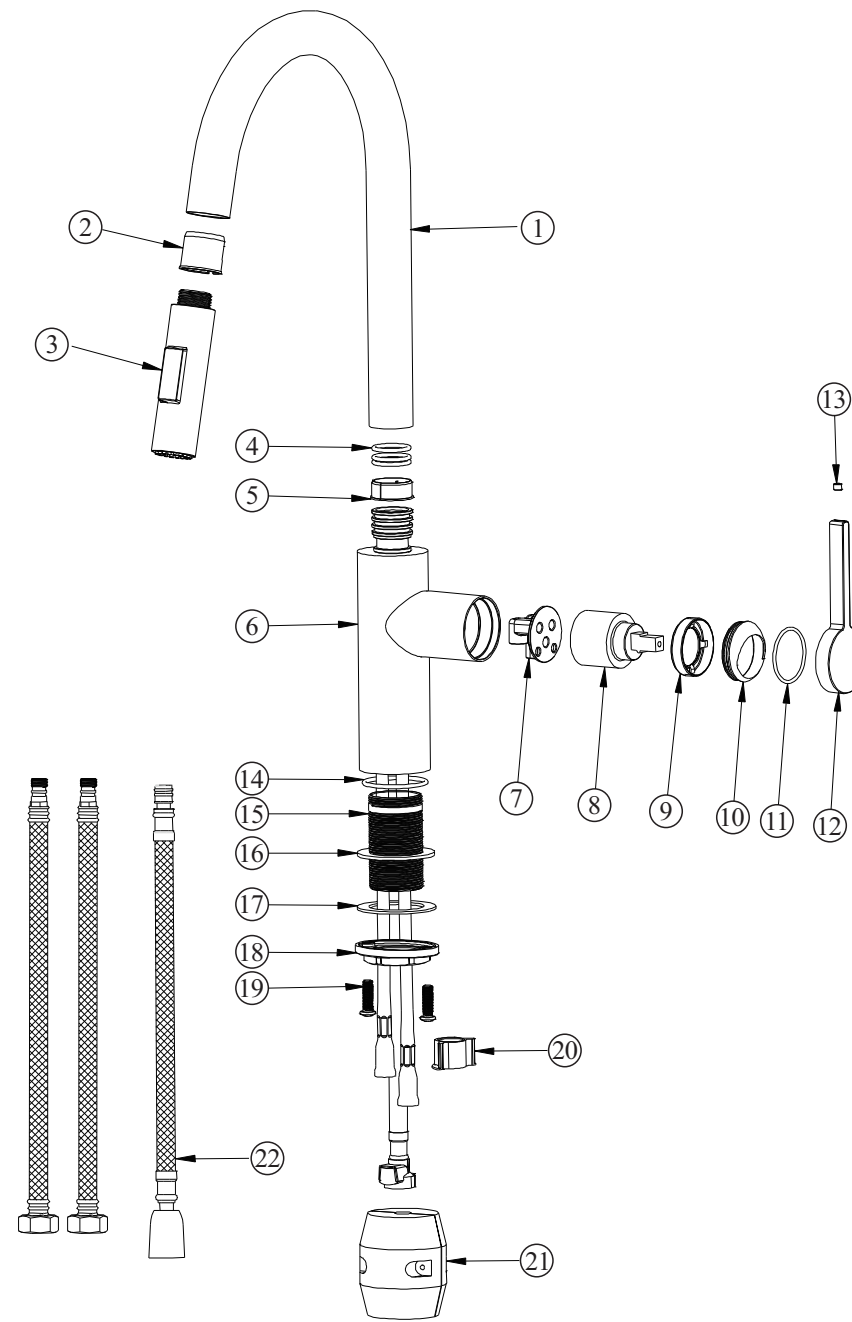
6. Apply teflon tape onto the threads of the faucet water shut offs in a clockwise direction. Tighten the water supply hoses onto the water supply shut offs. Please be sure to connect the cold water hose to the cold water shut off (Typically on the right) and the hot water supply hose to the hot water shut off (Typically on the left).

7. After installing the faucet, remove spray head (#4) from the hose (#3) and then turn on the hot and cold water shut offs. Check for leaks. If it leaks at the supply line connections at the faucet, please

8. Turn on the faucet for one minute to flush the debris from the faucet. Turn off the faucet and reassemble the pull-down faucet spray head (#4) to hose (#3).



# Parts Diagram / List



No.	Part Name
1	Spout
2	Hose Guide
3	Spray Head
4	O-ring
5	Rubber Holder
6	Body
7	Cartridge Holder
8	Cartridge
9	Cover
10	Cover-2
11	O-ring
12	Handle
13	Handle Screw
14	O-ring
15	Threaded Shank
16	Rubber Ring
17	Stainless Steel Ring
18	Lock Nut
19	Screw
20	Protective Sleeve
21	Weight
22	Water Supply Hose

# WARRANTY

www.derkoachline.com

## FAUCETS

FOR RESIDENTIAL INSTALLATIONS: DERKOACHLINE warrants this product to be free from defects in materials or workmanship for as long as the original consumer purchaser owns this product. Proof of purchase (original sales receipt) from the original consumer purchaser must be made available to DERKOACHLINE for all warranty claims. This warranty is non transferable. It does not apply in the event of product damage due to the use of other than genuine DERKOACHLINE replacement parts, installation error, abuse, misuse or improper care and maintenance (whether performed by a plumber, contractor, service provider or member of the purchaser's household). The warranty excludes damaged due to aggressive air or water conditions, or harsh or abrasive cleaners and / or materials. ANY PART OR PRODUCT REPAIRED OR ALTERED IN ANY MANNER WITHOUT WRITTEN AUTHORIZATION FROM DERKOACHLINE WILL VOID THE WARRANTY. YOU MUST HAVE THE FAUCET BOX. FOR COMMERCIAL INSTALLATIONS: For all industrial, commercial and business usage the warranty period is five years, from date of purchase and except for duration, all other aforementioned warranty terms apply. For both Residential and Commercial warranties, batteries are not included in the warranty.

DERKOACHLINE will provide free of charge, at its sole option, replacement part(s) or product (or if no longer available, a comparable product) to replace those which have proven defective in materials or workmanship. The warranty does not cover shipping cost of parts. This warranty does not cover labor charges incurred and / or damage sustained in installation, repair or replacement, nor incidental or consequential damages. This warranty is applicable only to DERKOACHLINE faucets manufactured after June 1, 1996 and installed in the United States, Mexico and / or Canada.

THIS WARRANTY IS EXCLUSIVELY IN LIEU OF ALL OTHER WARRANTIES, INCLUDING ANY IMPLIED WARRANTIES OF MERCHANTABILITY OR FITNESS FOR A PARTICULAR PURPOSE.

This warranty gives the original consumer purchaser of an DERKOACHLINE faucet special legal rights which may vary from state to state or from province to province. In some states or provinces the exclusion or limitation of incidental or consequential damages is not allowed, so those exclusions may not apply to you.