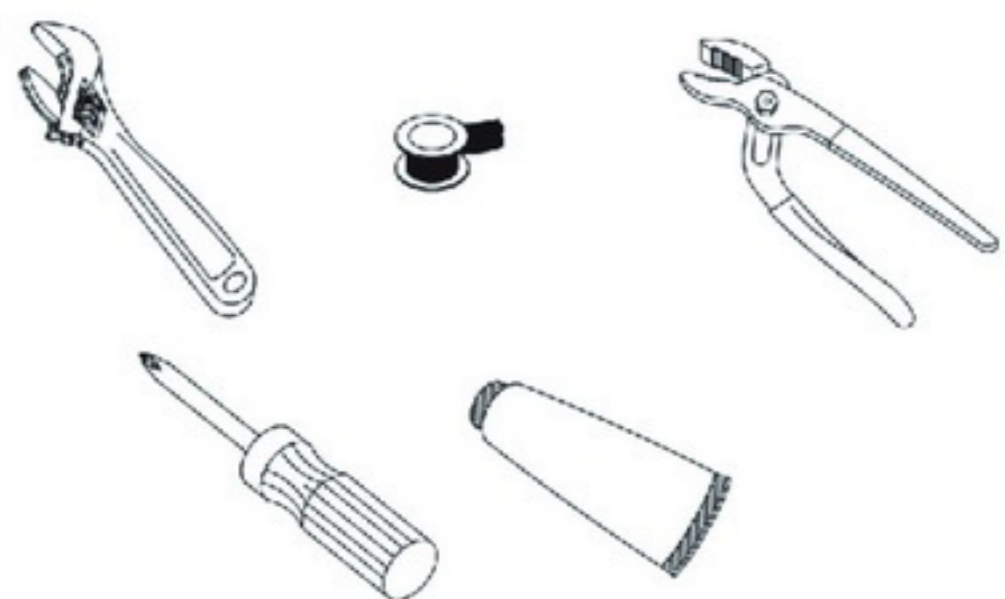


Installation

Tools

- Adjustable Wrench(2)
- Teflon Tape
- Groove Joint Plier
- phillips Screwdriver
- Silicone Sealant



Maintenance

Your new faucet is designed for years of trouble-free performance. Keep it looking new by cleaning it periodically with a soft cloth. Avoid abrasive cleaners, steel wool and harsh chemicals as these will dull the finish and void your warranty.

Safety Tips

- If you use soldering for the installation of the faucet, the seats, cartridges and washers will have to be removed before using flame. Otherwise, the warranty will be void on these parts.
- protect your eyes with safety glass when cutting or soldering water supply lines.
- Cover your drain to avoid losing parts.

Important Points

Prior to beginning installation, turn off the cold and hot water lines and turn on the old faucet to release built-up pressure. When installing your new faucet, turn the connector nuts finger tight, then use a wrench to anchor the fitting and a second wrench to tighten the nut one additional turn. Connections that are too tight can compromise the integrity of the system. Wrap all threaded connections with a teflon tape. Always wrap in a clockwise direction.

Need Help

Do you have a question ?
Just email us to :info@derkochline.com

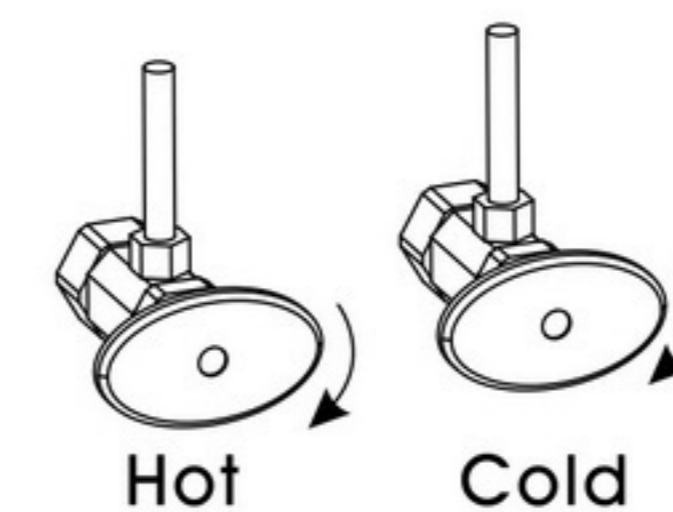
For Model: **BRENZ**

Single Handle Pull-down Kitchen Faucet

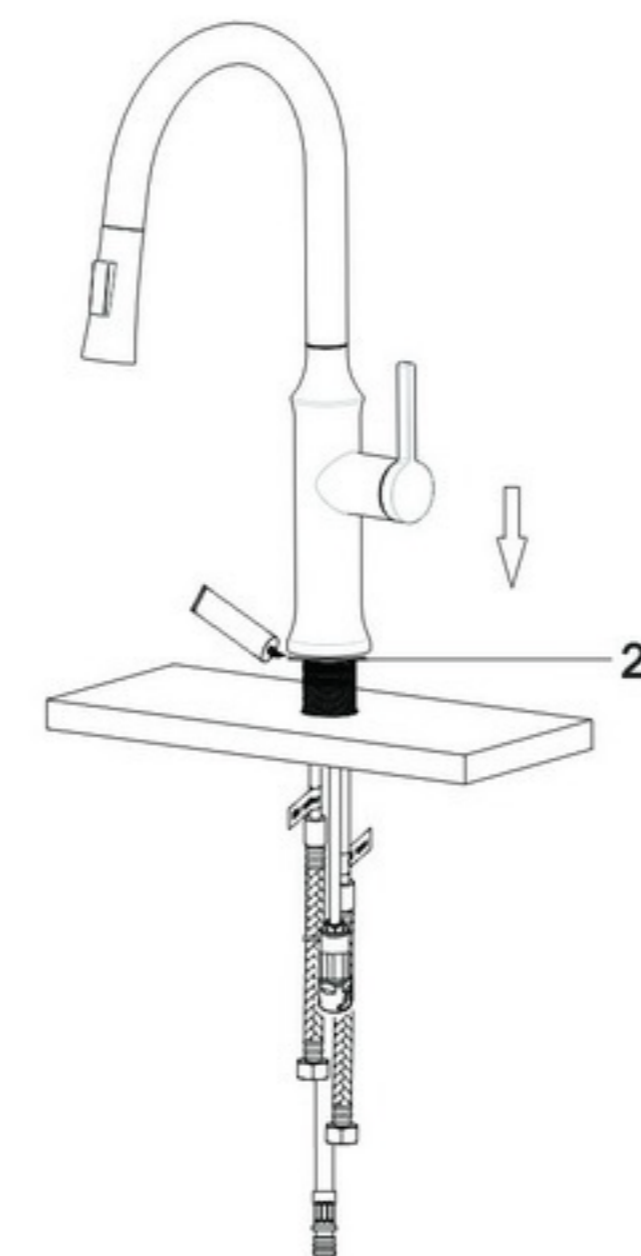


Preparation/Assembly

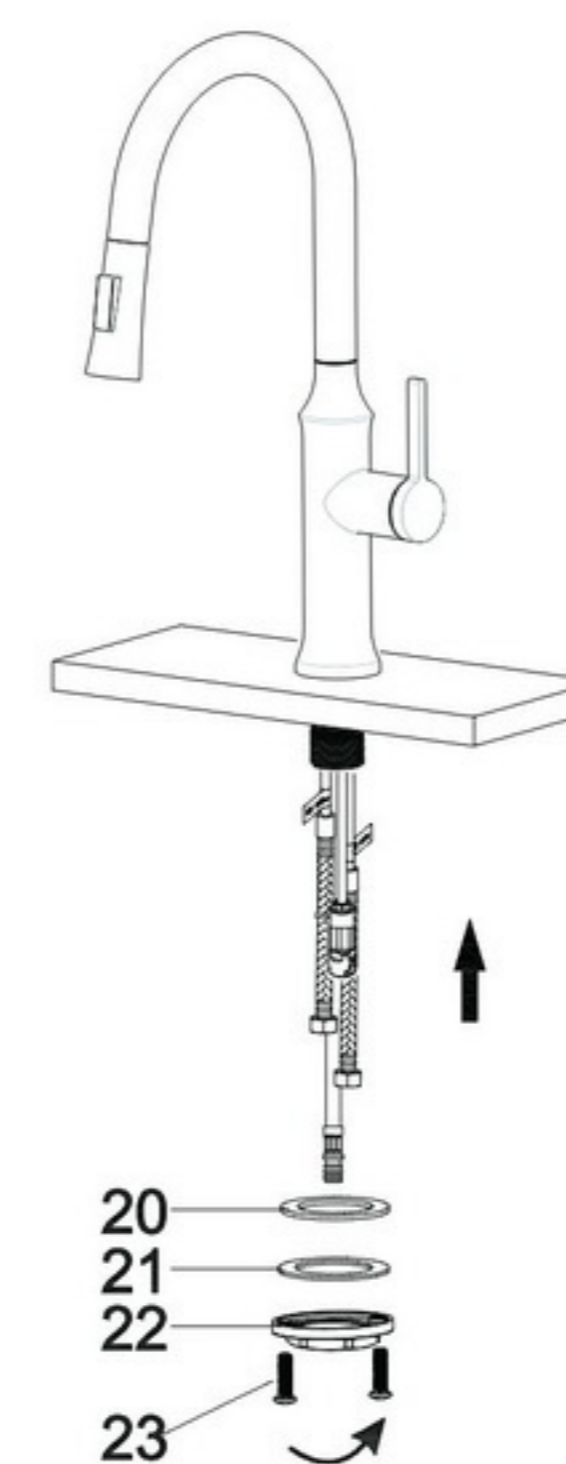
1. Shut off water supply before installation. Remove current faucet and clean and dry the sink surface the new faucet will be installed on.



2. For single hole installation - Place silicone sealant beneath the rubber gasket (#20) and install the faucet through the single faucet hole.

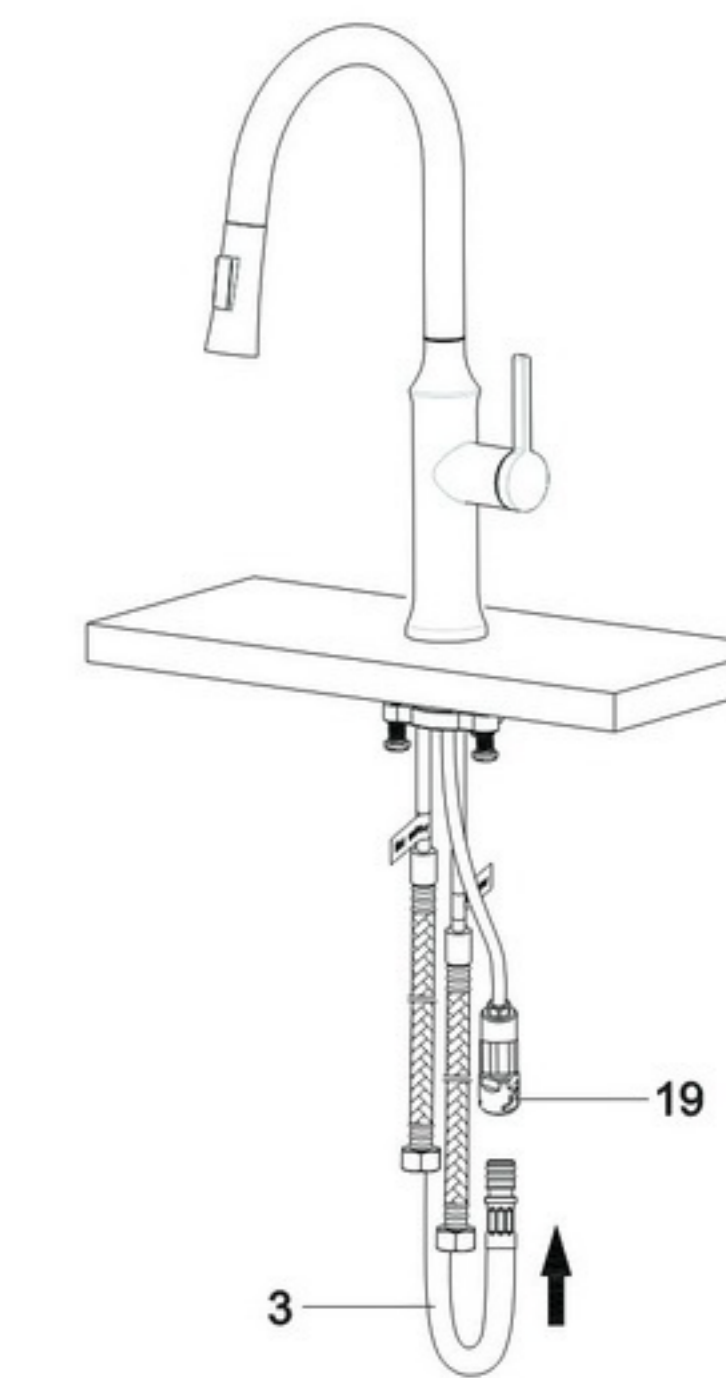


3. Stainless steel gasket (#21) and lock nut (#22) from the bottom. **Please Note:** Please assemble in numerical order. Tighten but do not over tighten. Use a phillips screwdriver to tighten the 2 screws (#23) on the lock nut(#22). See diagram for visual.

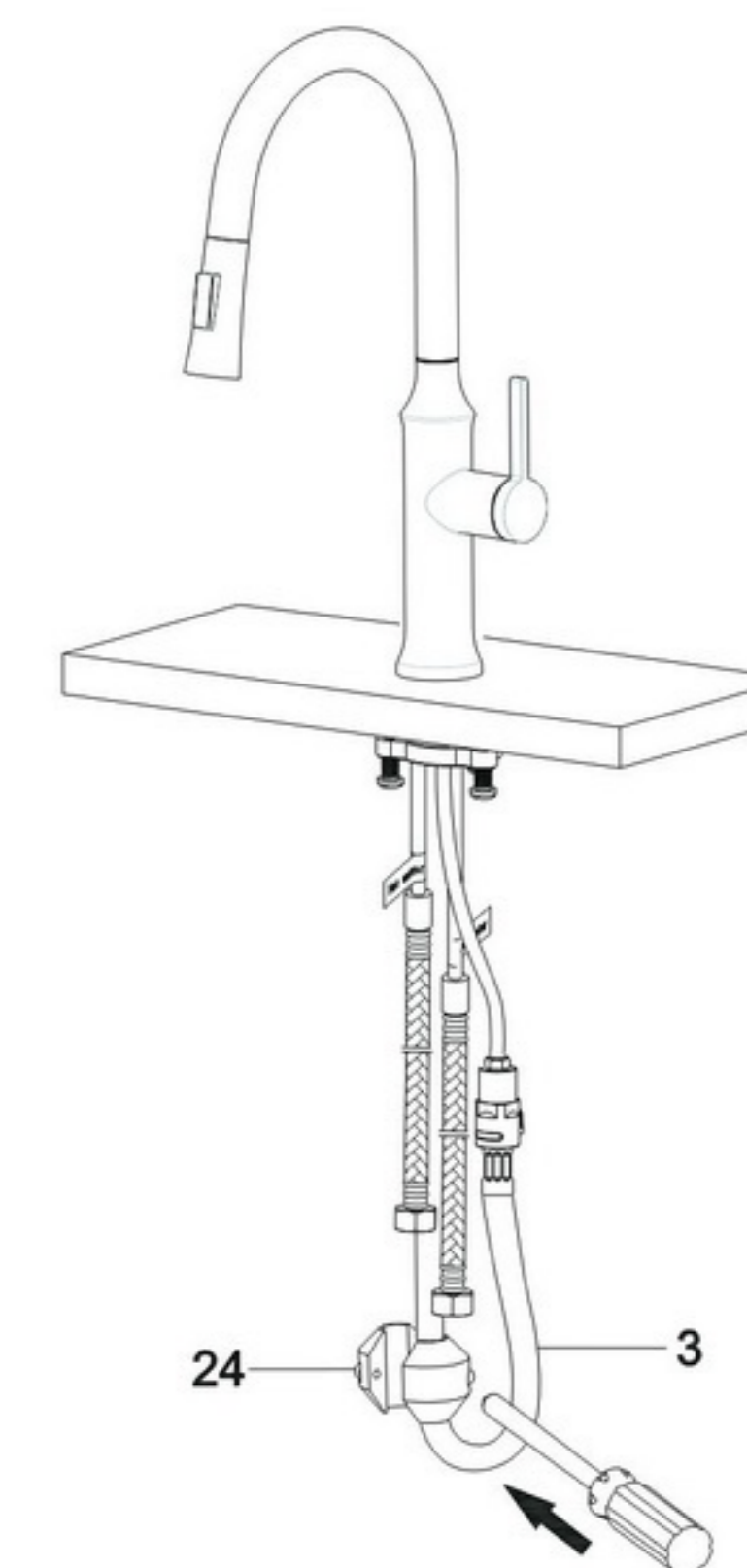


Preparation/Assembly

4. Attach the hose(#3) to the quick connect assembly (#19). Be sure to fully insert the hose (#3) you will hear a light click or popping sound when connected (see diagram).



5. Attach the weight (#24) to the lowest point on the downward side of the hose (#3) to prevent the hose (#3) from twisting. The weight can be installed facing either direction, it will not move once tightened down.



Step 1-3

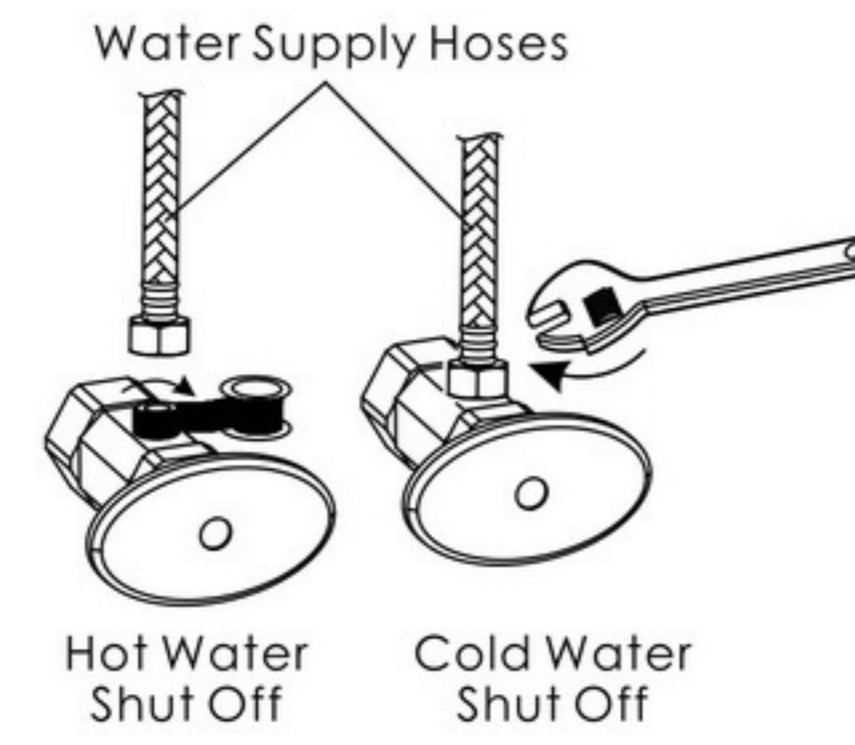
Do you have a question ?
Just email us to :info@derkochline.com

Step 4-5

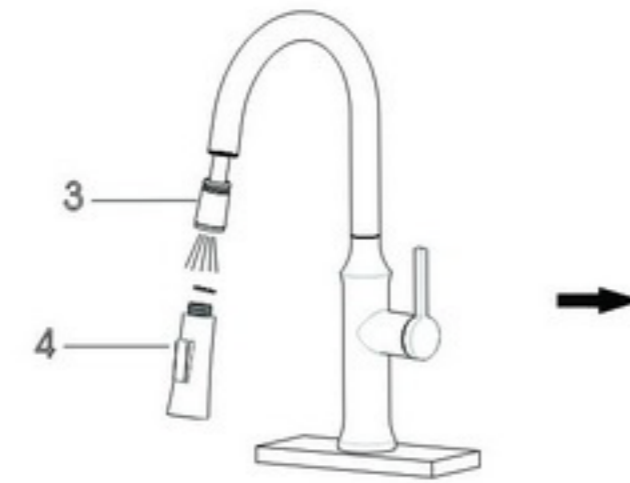
Do you have a question ?
Just email us to :info@derkochline.com

Preparation/Assembly

6. Apply teflon tape onto the threads of the faucet Water shut off in a clockwise direction. Tighten the Water supply hoses onto the water supply shuf off. Please be sure to connect the cold water hose to the cold water shut off (Typically on the right) and the hot water supply hose to the hot water shut off (Typically on the left).

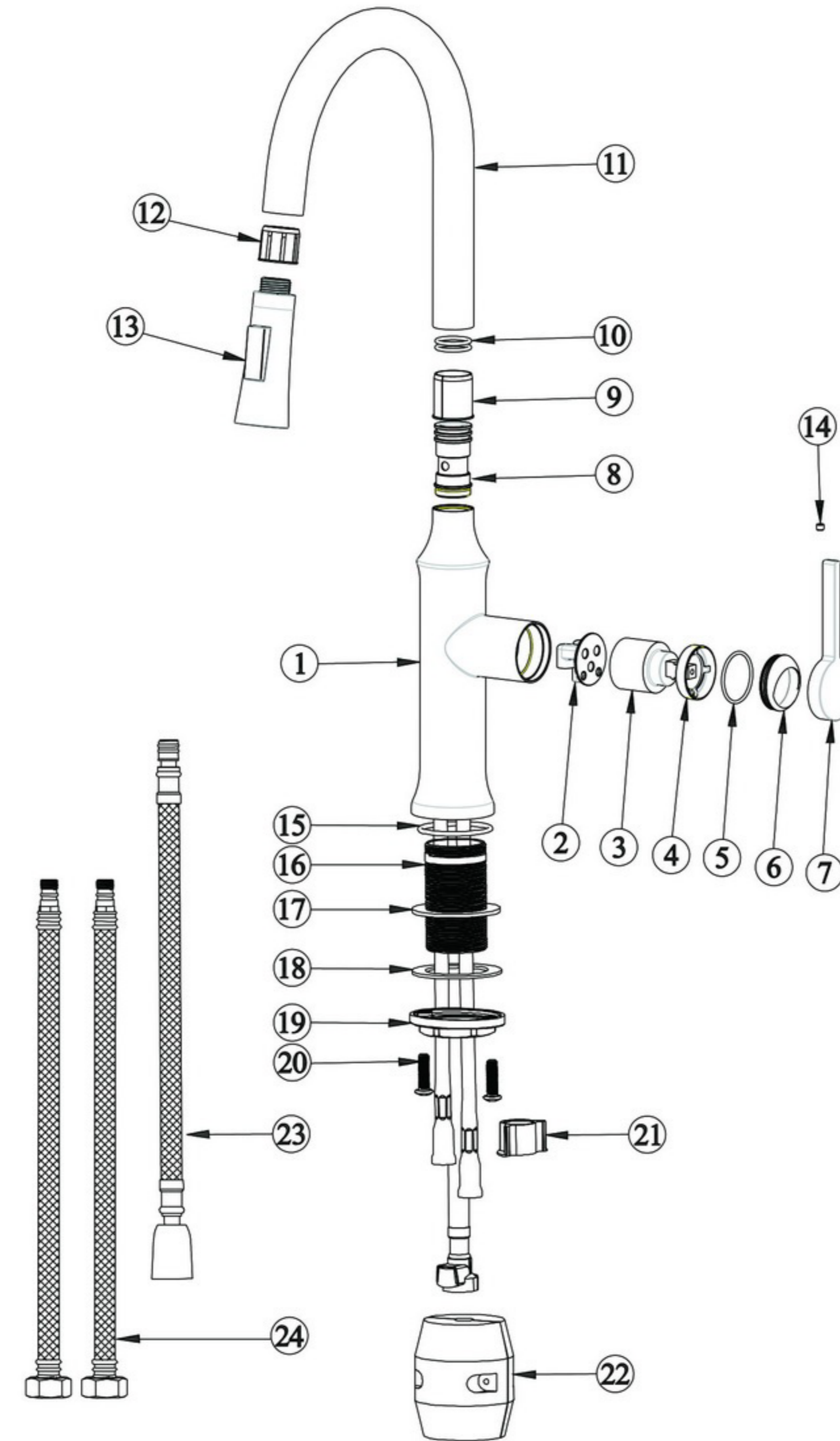


7. After installing the faucet, remove spray head (#4) from the hose (#3) and then turn on the hot and cold water shut off. Check for leaks. If it leaks at the supply line connections at the faucet, please



8. Turn on the faucet for one minute to flush the debris from the faucet. Turn off the faucet and reassemble the pull-down faucet speay head(#4) to hose(#3).

Parts Diagram / List



No.	Part Name
1	Body
2	Cartridge Holder
3	Cartridge
4	Cover
5	O-ring
6	Cover-2
7	Handle
8	Connect
9	Rubber Holder
10	O-ring
11	Spout
12	Hose Guide
13	Spray Head
14	Handle Screw
15	O-ring
16	Threaded Shank
17	Rubber Ring
18	Stainless Steel Ring
19	Lock Nut
20	Screw
21	Protective Sleev
22	Weight
23	Water Supply Hose
24	Hot/Cold Water Hose

WARRANTY

www.derkochline.com

FAUCETS

FOR RESIDENTIAL INSTALLTIONS:Der Koch warrants this product to be free from defects in materials or workmanship for as long as the original consumer purchaser owns this product. Proof of purchase (original sales receipt)from the original consumer purchaser must be made available to Der Koch for all warranty claims. This warranty is non transferable. It does not apply in the event of product damage due to the use of other than genuine Der Koch replacement parts,installation error,abuse,misuse or improper care and maintenance (whether performed by a plumber, contractor, service provider or member of the purchaser's household).The warranty excludes damaged due to aggressive air or water conditions, or harsh or abrasive cleaners and / or materials. ANY PART OR PRODUCT REPAIRED OR ALTERED IN ANY MANNER WITHOUT WRITTEN AUTHORIZATION FROM DER KOCH WILL VOID THE WARRANTY.YOU MUST HAVE THE FAUCET BOX. FOR COMMERCIAL INSTALLATIONS: For all industrial, commercial and business usage the warranty period is five years, from date of purchase and except for duration, all other aforementioned warranty terms apply. For both Residential and Commercial warranties, batteries are not included in the warranty.

Der Koch will provide free of charge, at it's sole option, replacement part(s) or product(or if no longer) available, a comparable product) to replace those which have proven defective in materials or workmanship. The warranty does not cover shipping cost of parts. This warranty does not cover labor charges incurred and / or damage sustained in installation, repair or replacement, nor incidental or consequential damages.